

# 1



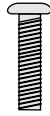
3x16 mm

A  
4x



4x12 mm

B  
6x



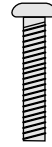
4 x 18mm

C  
26x



w4mm

D  
26x



4 x 20mm

E  
8x



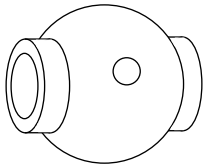
Ø6mm

F  
12x



6x 30mm

G  
12x



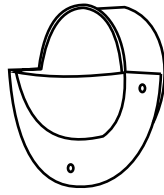
J  
4x



K  
16x



L  
32x



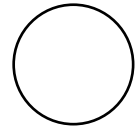
M  
2x



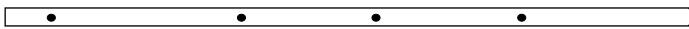
N  
11x



O  
11x



P  
3x



Q 4x



Q1 8x



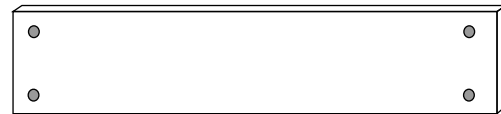
Q2 8x



T 2x



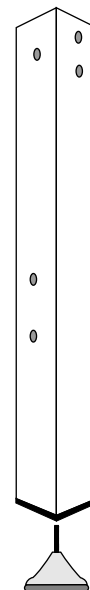
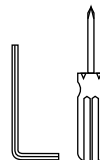
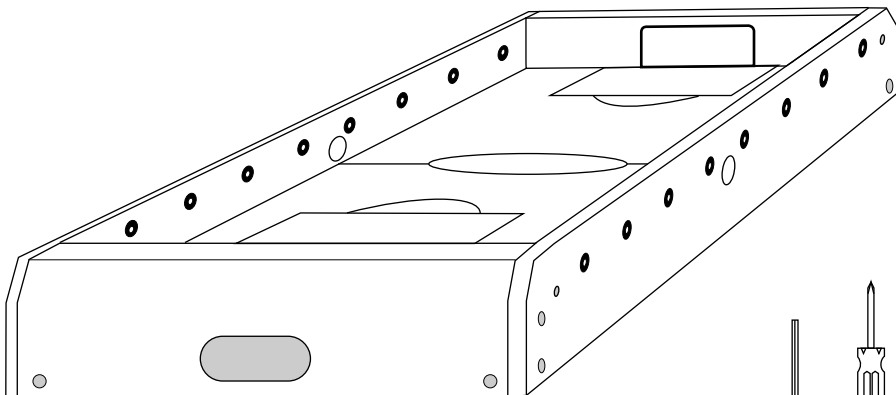
R 2x



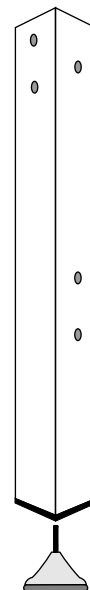
DD 2x



S 2x

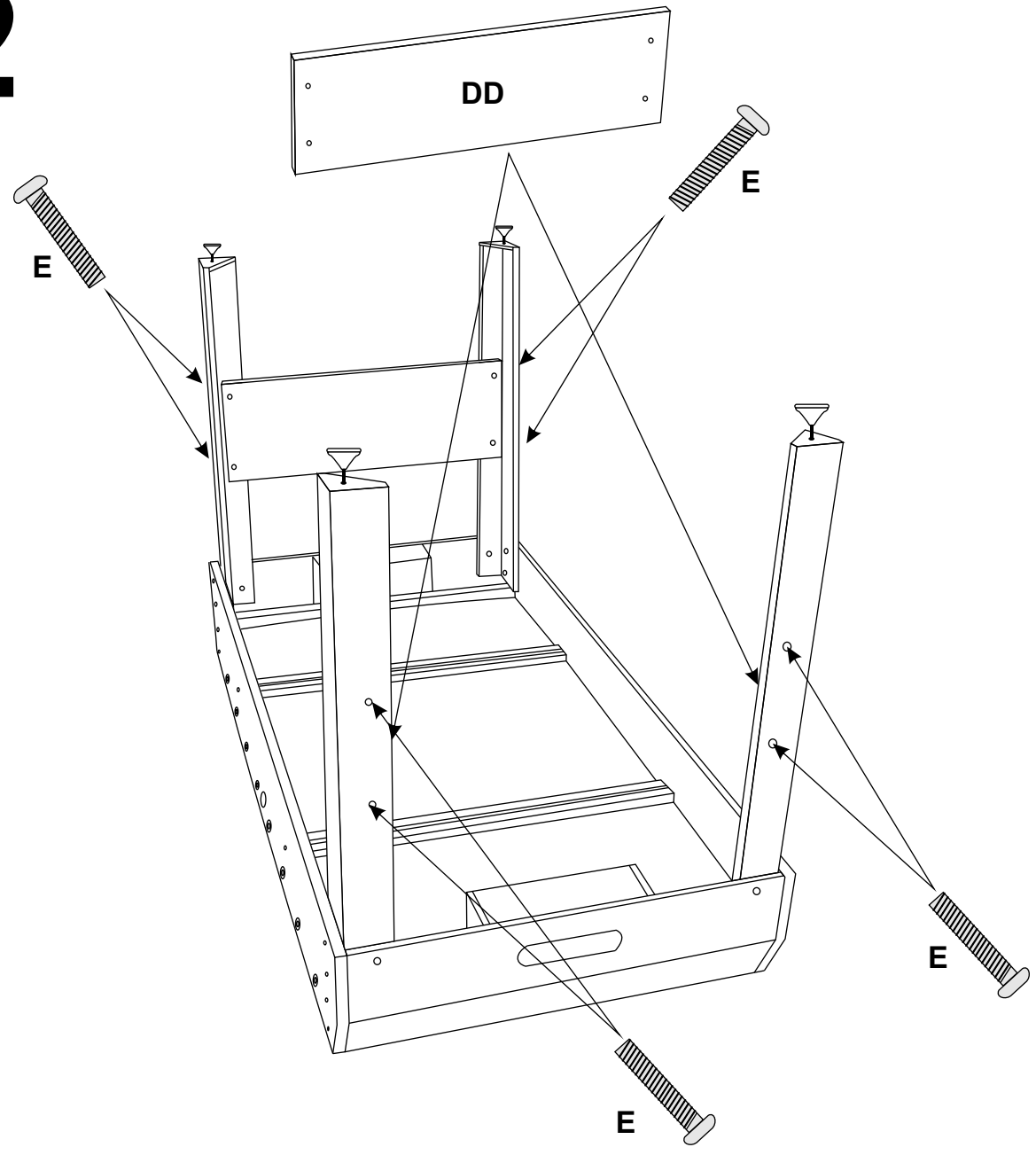
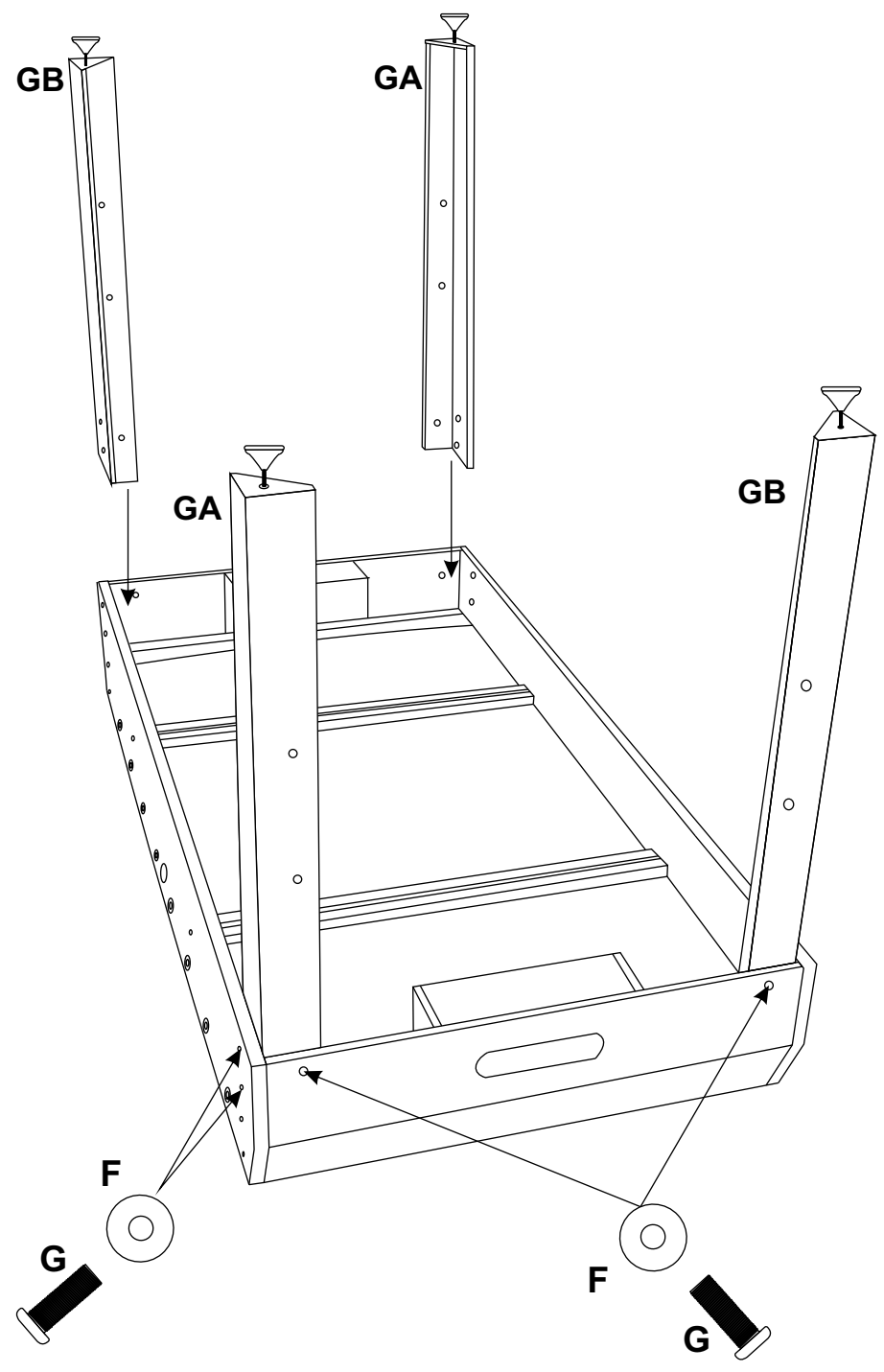


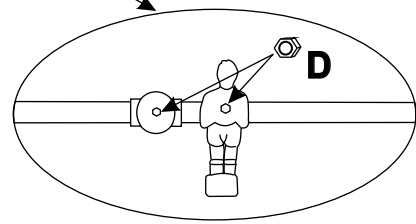
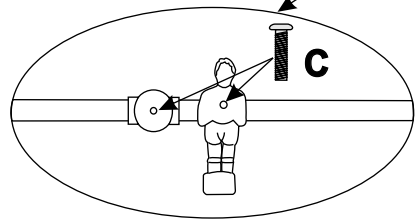
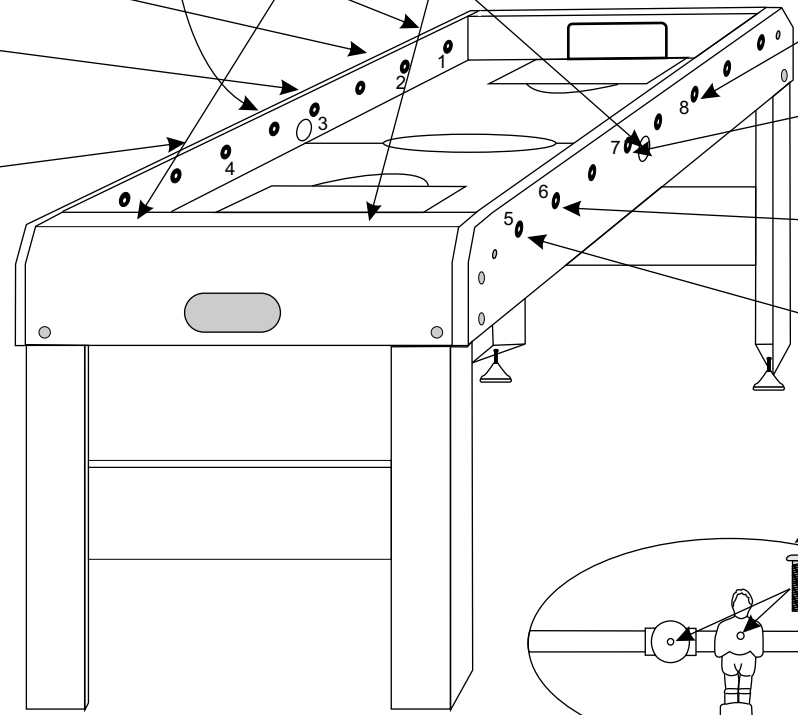
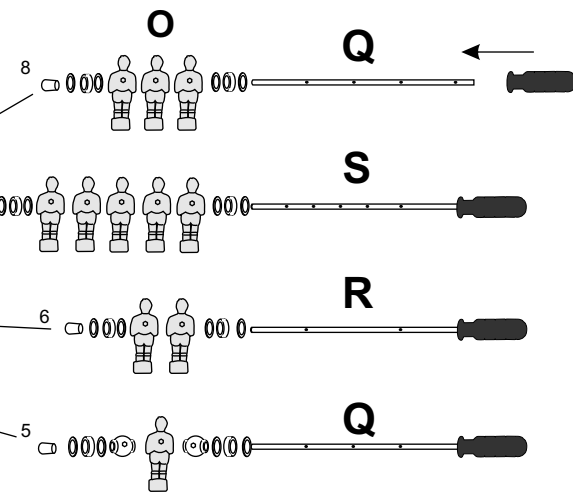
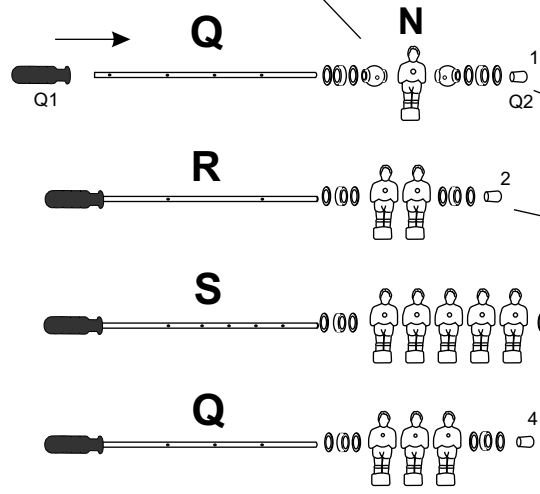
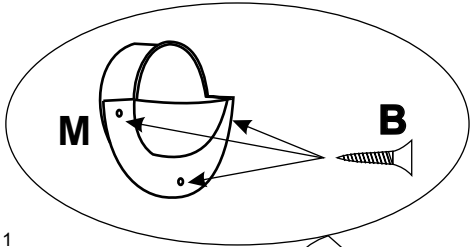
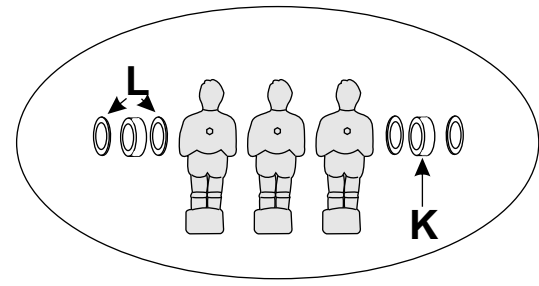
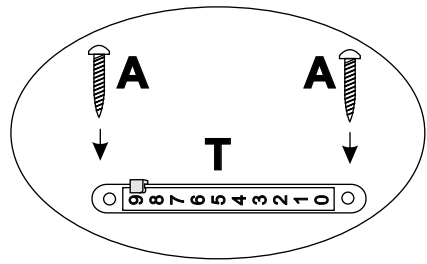
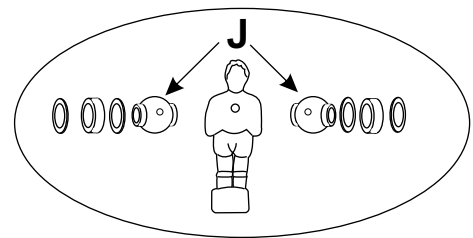
GA 2x



GB 2x

# 2





**3**