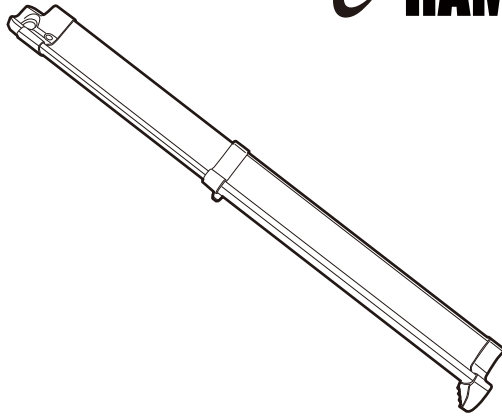


BUZZ RACK

e-RAMP-KB08

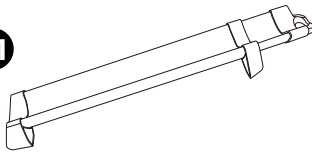


+

+

PART LIST

x1



x1

