



USER MANUAL – EN

IN 22125 Folding scooter inSPORTline Runelk

CONTENTS

SAFETY INSTRUCTIONS..... 3
ASSEMBLY INSTRUCTIONS 3
RIDING INSTRUCTIONS..... 7
MAINTENANCE 7
ENVIRONMENT PROTECTION 8
TERMS AND CONDITIONS OF WARRANTY, WARRANTY CLAIMS..... 8

We would like to thank you for choosing this product. It is our duty to inform you that this scooter in its basic version is intended for mild terrain and non-car traffic roads. It is possible you'll need more safety features, such as reflectors, required under the law of the country in which the scooter will be used. It is also vital for the rider themselves to use safety features (see safety features section).

A very important aspect in regards to the product's safety is the proper adjustment of the scooter (wheel bearings, break adjustment, bolt tightening and proper tire inflation). That is why we highly recommend having the scooter assembled and regularly inspected by a professional service, where skilled and knowledgeable technicians can assist you. If you maintain such professionally set-up scooter regularly, you'll be able to enjoy this product for a long time to come.

Scooter	Runelk
Wheel diameter	20/16"
Weight limit	100 kg
Category	A
Certification	EN 14619:2019

SAFETY INSTRUCTIONS

- Read the manual carefully before assembly.
- Check if all the screws and nuts are tightened before every ride.
- For your safety, always use a helmet, knee, elbow and wrist protectors and solid shoes. Do not ride the scooter without shoes.
- Do not use the scooter on wet surfaces, sand, leaves, etc.
- The basic version of the scooter is not suited for roads with car traffic or for riding in the dark.
- Regularly check the screw connections, tightening mechanisms, brakes and the setting of the steering mechanism to avoid an eventual accident while riding.
- We do not recommend to modify this scooter in any way.
- Do not brake rapidly and suddenly – you could fall down.
- The manufacturer is not responsible for any damage that may occur while using this product.
- This scooter is for one person only.
- Do not try to modify the scooter by yourselves.
- This scooter can not be used to ride over obstacles or for jumping. Warranty can not be issued for damaged that is caused by these actions.
- **WARNING:** Mechanisms for decreasing speed (brake lining, rims, tires, rear and foot brakes) can become heated during use. Therefore, you should not touch them after braking.
- USE AVAILABLE PROTECTIVE EQUIPMENT WHILE RIDING THIS SCOOTER (HEMLET, GLOVES. ETC.)
- Meets standard: EN14619

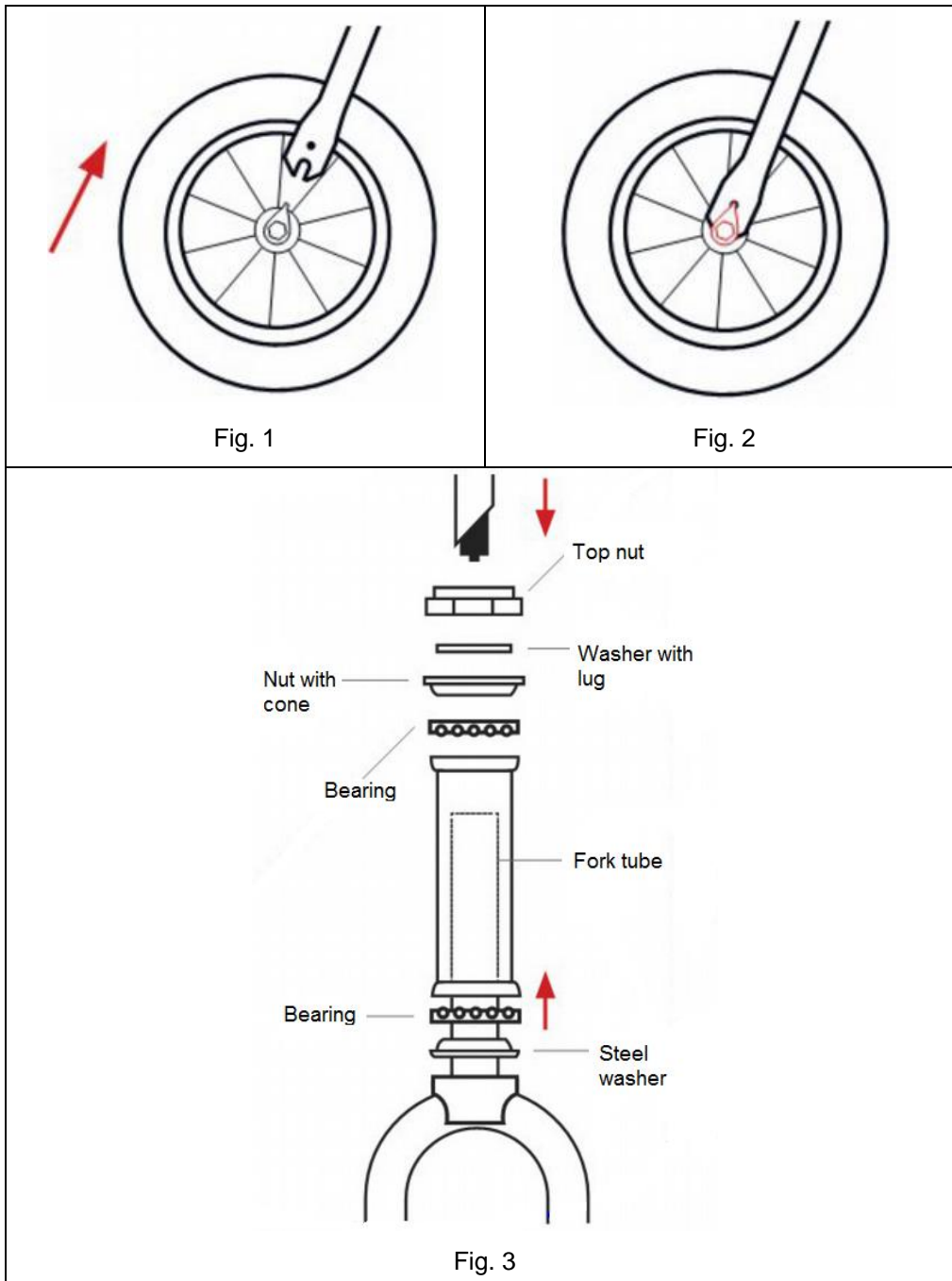
ASSEMBLY INSTRUCTIONS

1. Check that all the following parts are part of the package:
 - 1 pc main frame including front fork
 - 1 – 2 pcs brake system (based on the model)
 - 2 pcs inflatable wheels (based on the model: 2 x 12", 1 x 16" and 1 x 12", or 1 x 20" and 1 x 16")

1 pc handlebars including the handlebar rod

Entrust the assembly to a professional bicycle service.

2. Loosen the nuts on the axis of both wheels. If necessary, tighten the bearings so that the wheels can turn freely (so that they do not drag, but aren't free at the same time).
3. Insert the wheel into the front fork (Fig. 1). Make sure that the security eye provided with a small beak is positioned correctly (the beak must be inserted into a small hole at the end of the fork – Fig. 2), whereas the axis of the wheel must be exactly in the middle of the fork.



4. Tighten the nuts.
5. If the handlebar rod is pointing upwards, rotate it downwards and evenly tighten the four front piece screws (Fig. 4). If the front piece has not been previously attached, attach it to the handlebars and tighten all four front piece screws (Fig. 3). If your handlebars do not include a front piece, (i.e. the bars are welded directly to the handle bar rod), skip step 5.

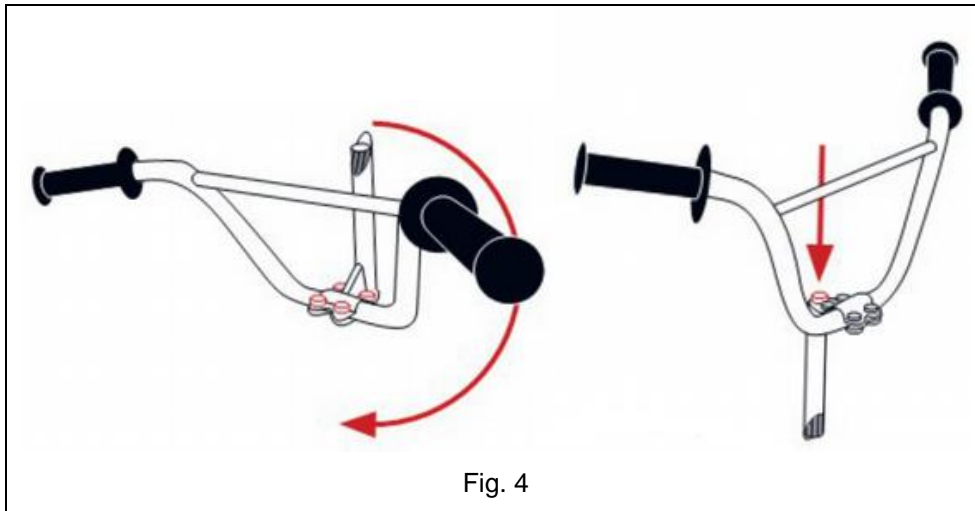


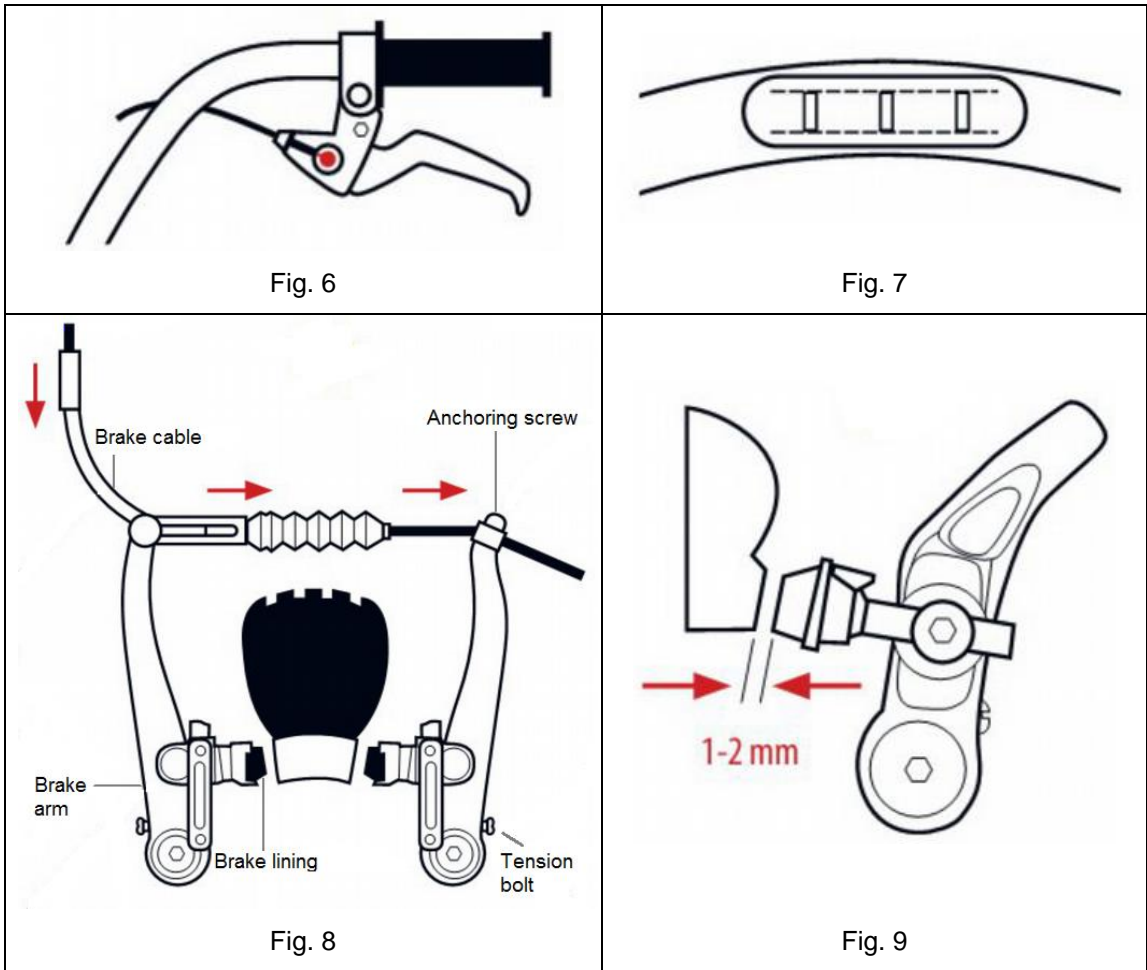
Fig. 4

6. Insert the handlebar rod into the handlebar tube (Fig. 5). Adjust the handlebar height to the rider's needs. The maximum extension height is marked on the handlebar rod. Make sure the axis of the handlebars is parallel to the axis of the front wheel and properly tighten the screw (Fig. 4).

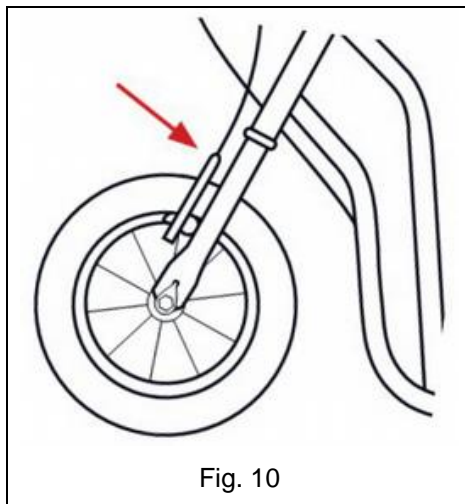


Fig. 5

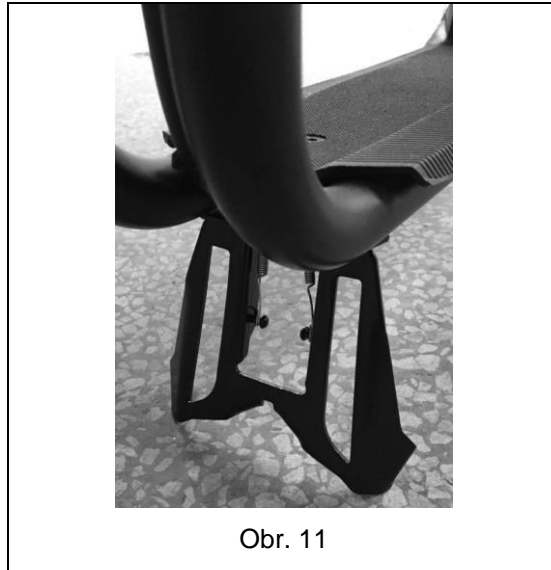
7. Insert the second wheel into the rear fork following the instructions in step 3.
8. Tighten the nuts.
9. Generally, the right brake lever brakes the rear wheel and the left brake lever brakes the front wheel. Insert the oval ending of the brake cable into the round hole situated on the brake lever (grips may vary based on the model) and insert the brake cable into the slot on the underside of the brake lever (Fig. 6). Press both arms of the brake onto the rim and use a suitable key to adjust the brake lining so that it chafes against the rim with its whole surface during braking (Fig. 7). If necessary, tighten or loosen the brake cable with the anchoring bolt (Fig. 8) or with the adjusting screw on the brake lever so that there is a distance of approximately 1 – 2 mm between the rim and the brake lining (Fig. 9). If the wheel does not turn freely and “slackens up” on one side, you can adjust the tension bolt on the arm of the brake (Fig. 8). Loosen the tension bolt on the brake arm more distant from the rim so that the wheel may turn freely. Check that the brakes work properly before every ride. If the scooter also has a front brake, mount it and adjust it the same way. If the brake levers have adjusting screws (situated on the side of the lever), you can tighten the screw to shorten the distance between the lever and the grip (depending on the size of the hand).



If the scooter has a front brake it is important to turn the fork so that the brake is situated at the front (Fig. 10).



10. If the kickstand has not been attached to the scooter, screw it onto the lower part of the frame so that it folds out left from the rider's point of view (Fig. 11).



11. Inflate the tires according to the needs of the rider. Maximum pressure is marked on the tire (bar/psi).

RIDING INSTRUCTIONS

- a) Always put both hands on the handlebars and at least one foot on the foot board.
- b) Start riding by putting one foot on the deck and using the other to move the scooter forwards by pushing it off ground.
- c) You brake by pressing the brake levers. The intensity of the braking depends on how much you pressure you put on the lever. It is recommended to brake with the rear brake more. Use the front brake to end the braking and in emergencies. Accidents may occur while braking too intensely.
- d) Turn the scooter by turning the handlebars in the direction you want to move. Incline your body slightly in the same direction.
- e) Don't forget to fold the kickstand before every ride to prevent a fall or damaging the kickstand.
- f) Beginners should start with assistance by another (adult) person, which will help with keeping the balance.
- g) Check the controls before ride to prevent falls and errors during ride.
- h) When riding from the hill the braking is less effective and braking distance is longer. Rider must move at such speed, that is safe, and can stop safely and in time.

MAINTENANCE

We recommend to entrust the maintenance of your scooter to a professional service.

- Regularly check and eventually tighten and adjust: screw connections and tightening mechanism. Lubricate sliding parts (wheel bearings, handlebar bearings, cables, brake parts, etc.). When dirty, clean with a damp cloth.
- **CAUTION:** The lubricant must not get onto the braking friction surface of the rim and the brake lining. If this situation occurs, it is necessary to remove the grease from all parts of the brake and then clean it with gasoline.

- If the spokes start to “crack” during a ride, you’ll need to tighten all the wheel wires equally by 2 turns (we recommend to contact a professional service). If this doesn’t help, grease, change or adjust bearings and their parts.
- If it is necessary to change the wheels, always use tires/wheels with the same diameter as the originals.
- Disassemble the scooter by acting in reverse to the assembly instructions.
- Self-locking nuts or other self-locking accessories lose their efficiency over time. After that, it is necessary to replace them.

ENVIRONMENT PROTECTION

After the product lifespan expired or if the possible repairing is uneconomic, dispose it according to the local laws and environmentally friendly in the nearest scrapyard.

By proper disposal you will protect the environment and natural sources. Moreover, you can help protect human health. If you are not sure in correct disposing, ask local authorities to avoid law violation or sanctions.

Don’t put the batteries among house waste but hand them in to the recycling place.

TERMS AND CONDITIONS OF WARRANTY, WARRANTY CLAIMS

General Conditions of Warranty and Definition of Terms

All Warranty Conditions stated hereunder determine Warranty Coverage and Warranty Claim Procedure. Conditions of Warranty and Warranty Claims are governed by Act No. 40/1964 Coll. Civil Code, Act No. 513/1991 Coll., Commercial Code, and Act No. 634/1992 Coll., Consumer Protection Act, as amended, also in cases that are not specified by these Warranty rules.

The seller is SEVEN SPORT s.r.o. with its registered office in Strakonická 1151/2c, Praha 5, 150 00, ČR, Company Registration Number: 26847264, registered in the Trade Register at Regional Court in Prague, Section C, Insert No. 116888.

According to valid legal regulations it depends whether the Buyer is the End Customer or not.

“The Buyer who is the End Customer” or simply the “End Customer” is the legal entity that does not conclude and execute the Contract in order to run or promote his own trade or business activities.

“The Buyer who is not the End Customer” is a Businessman that buys Goods or uses services for the purpose of using the Goods or services for his own business activities. The Buyer conforms to the General Purchase Agreement and business conditions to the extent specified in the Commercial Code.

These Conditions of Warranty and Warranty Claims are an integral part of every Purchase Agreement made between the Seller and the Buyer. All Warranty Conditions are valid and binding, unless otherwise specified in the Purchase Agreement, in the Amendment to this Contract or in another written agreement.

Warranty Conditions

Warranty Period

The Seller provides the Buyer a 24 months Warranty for Goods Quality, unless otherwise specified in the Certificate of Warranty, Invoice, Bill of Delivery or other documents related to the Goods. The legal warranty period provided to the Consumer is not affected.

By the Warranty for Goods Quality, the Seller guarantees that the delivered Goods shall be, for a certain period of time, suitable for regular or contracted use, and that the Goods shall maintain its regular or contracted features.

The Warranty does not cover defects resulting from (if applicable):

- User’s fault, i.e. product damage caused by unqualified repair work, improper assembly, insufficient insertion of seat post into frame, insufficient tightening of pedals and cranks

- Improper maintenance
- Mechanical damages
- Regular use (e.g. wearing out of rubber and plastic parts, moving mechanisms, joints etc.)
- Unavoidable event, natural disaster
- Adjustments made by unqualified person
- Improper maintenance, improper placement, damages caused by low or high temperature, water, inappropriate pressure, shocks, intentional changes in design or construction etc.

Warranty Claim Procedure

The Buyer is obliged to check the Goods delivered by the Seller immediately after taking the responsibility for the Goods and its damages, i.e. immediately after its delivery. The Buyer must check the Goods so that he discovers all the defects that can be discovered by such check.

When making a Warranty Claim the Buyer is obliged, on request of the Seller, to prove the purchase and validity of the claim by the Invoice or Bill of Delivery that includes the product's serial number, or eventually by the documents without the serial number. If the Buyer does not prove the validity of the Warranty Claim by these documents, the Seller has the right to reject the Warranty Claim.

If the Buyer gives notice of a defect that is not covered by the Warranty (e.g. in the case that the Warranty Conditions were not fulfilled or in the case of reporting the defect by mistake etc.), the Seller is eligible to require a compensation for all the costs arising from the repair. The cost shall be calculated according to the valid price list of services and transport costs.

If the Seller finds out (by testing) that the product is not damaged, the Warranty Claim is not accepted. The Seller reserves the right to claim a compensation for costs arising from the false Warranty Claim.

In case the Buyer makes a claim about the Goods that is legally covered by the Warranty provided by the Seller, the Seller shall fix the reported defects by means of repair or by the exchange of the damaged part or product for a new one. Based on the agreement of the Buyer, the Seller has the right to exchange the defected Goods for a fully compatible Goods of the same or better technical characteristics. The Seller is entitled to choose the form of the Warranty Claim Procedures described in this paragraph.

The Seller shall settle the Warranty Claim within 30 days after the delivery of the defective Goods, unless a longer period has been agreed upon. The day when the repaired or exchanged Goods is handed over to the Buyer is considered to be the day of the Warranty Claim settlement. When the Seller is not able to settle the Warranty Claim within the agreed period due to the specific nature of the Goods defect, he and the Buyer shall make an agreement about an alternative solution. In case such agreement is not made, the Seller is obliged to provide the Buyer with a financial compensation in the form of a refund.



CZ
SEVEN SPORT s.r.o.

Sídlo: Strakonická 1151/2c, Praha 5, 150 00, ČR

Centrála: Dělnická 957, Vítkov, 749 01

Reklama a servis: Čermenská 486, Vítkov 749 01

IČO: 26847264

DIČ: CZ26847264

Tel: +420 556 300 970

Mail: eshop@insportline.cz
reklamace@insportline.cz
servis@insportline.cz

Web: www.inSPORTline.cz

SK
inSPORTline s.r.o.

Centrála, reklamácie, servis: Električná 6471, Trenčín 911 01, SK

IČO: 36311723

DIČ: SK2020177082

Tel.: +421(0)326 526 701

Mail: objednavky@insportline.cz

reklamacie@insportline.cz

servis@insportline.cz

Web: www.inSPORTline.sk

Date of Sale:

Stamp and Signature of Seller: