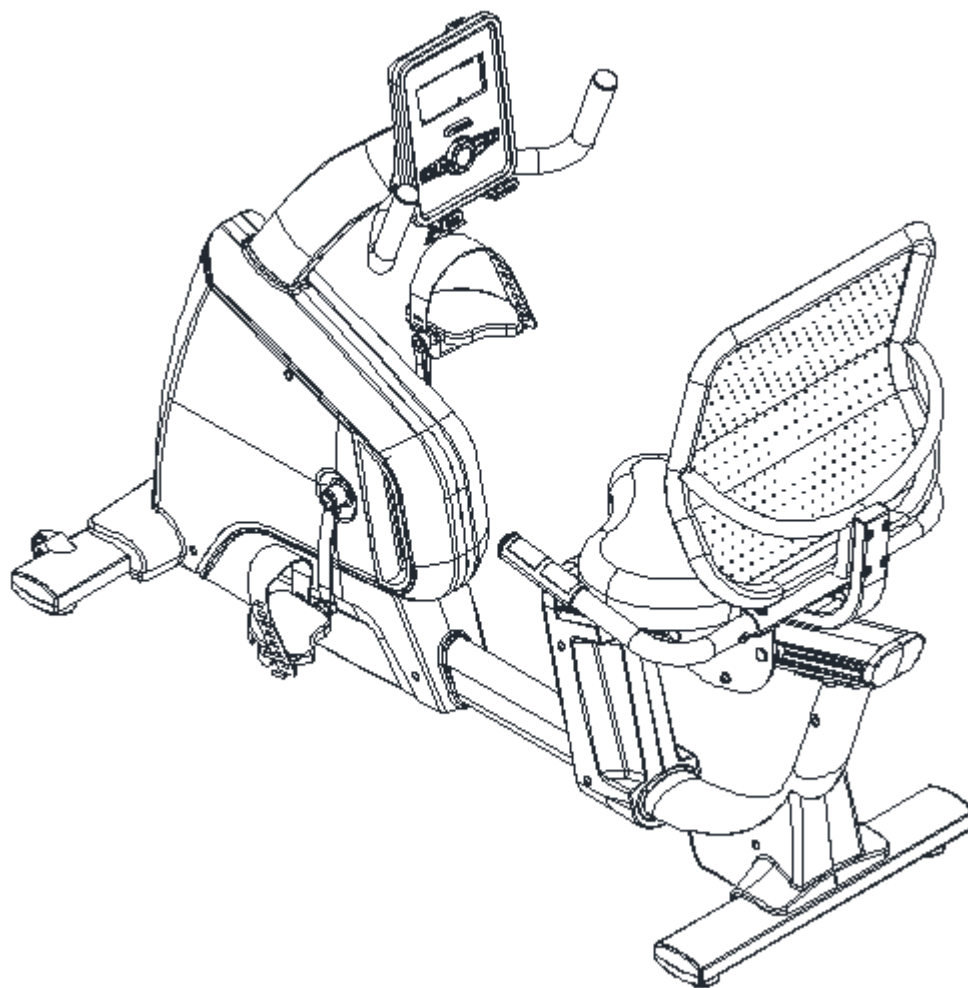




USER MANUAL – EN

IN 20214 Recumbent inSPORTline Omahan RMB



CONTENTS

- SAFETY INSTRUCTIONS..... 3
- IMPORTANT NOTES 4
- PRODUCT DESCRIPTION 5
- TECHNICAL SPECIFICATIONS 5
- ASSEMBLY 6
- CONSOLE 14
 - PROGRAMS 15
- ADVANTAGES OF RECUMBTION..... 18
- EXERCISING INSTRUCTIONS 18
- MAINTENANCE 19
- STORAGE 19
- IMPORTANT NOTICE 19
- ENVIRONMENT PROTECTION 20
- DIAGRAM..... 21
- PARTS LIST 22
- TERMS AND CONDITIONS OF WARRANTY, WARRANTY CLAIMS..... 23

SAFETY INSTRUCTIONS

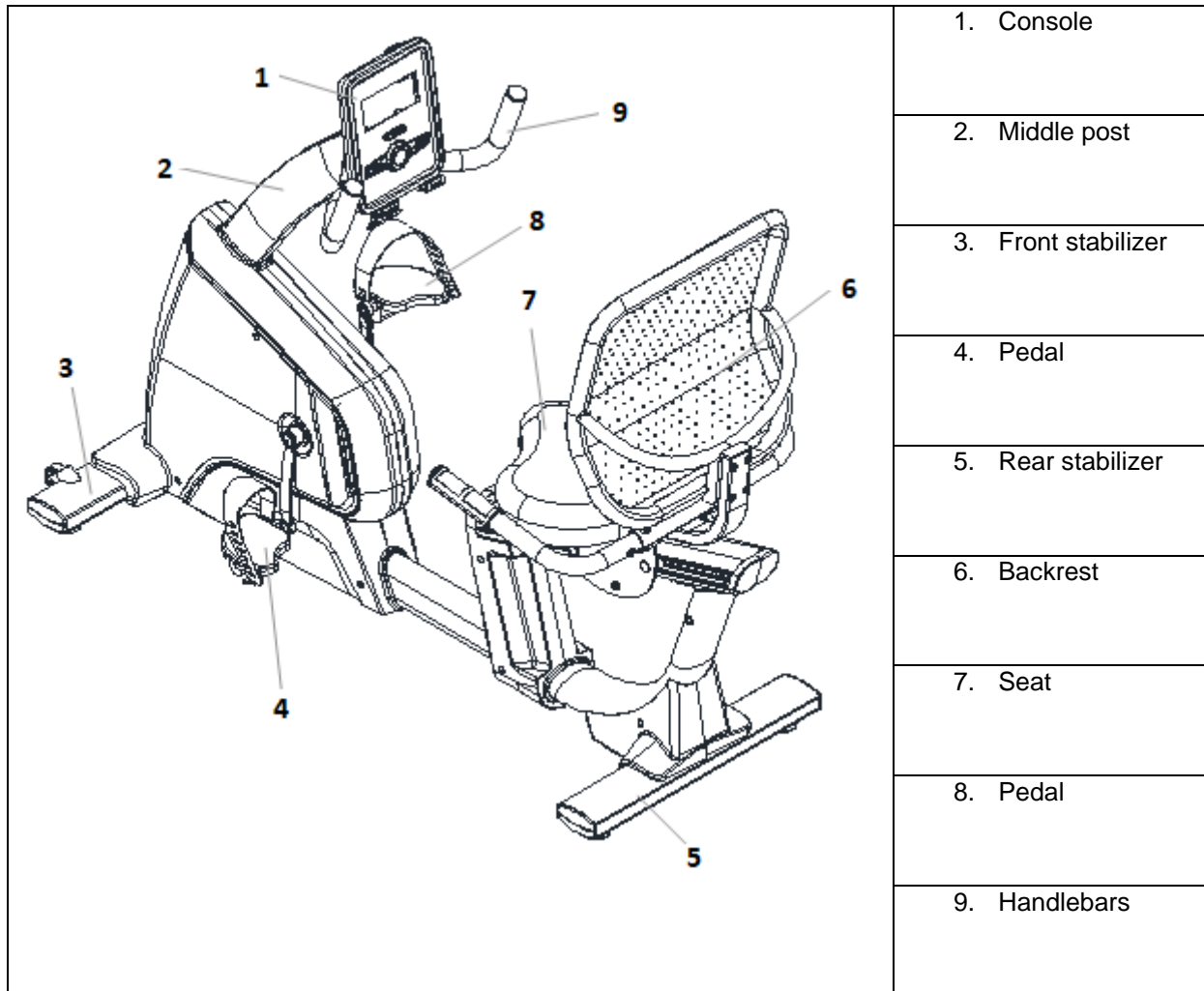
- Read the manual carefully before first use and keep it for future reference.
- To ensure the best safety of the exerciser, regularly check it on damages and worn parts.
- If you pass on this exerciser to another person or if you allow another person to use it, make sure that that person is familiar with the content and instructions in these instructions.
- Only one person should use the exerciser at a time.
- Before the first use and regularly make sure that all screws, bolts and other joints are properly tightened and firmly seated.
- Before you start your work-out, remove all sharp-edged objects around the exerciser.
- Only use the exercise for your work-out if it works flawlessly.
- Any broken, worn or defective part must immediately be replaced and/or the exerciser must no longer be used until it has been properly maintained and repaired.
- Parents and other supervisory persons should be aware of their responsibility, due to situations which may arise for which the exerciser has not been designed and which may occur due to children's natural play instinct and interest in experimenting.
- If you do allow children to use this exerciser, be sure to take into consideration and assess their mental and physical condition and development, and above all their temperament. Children should use the exerciser only under adult supervision and be instructed on the correct and proper use of the exerciser. The exerciser is not a toy.
- Make sure there is sufficient free space around the exerciser when you set it up.
- To avoid possible accidents, do not allow children to approach the exerciser without supervision, since they may use it in a way for which it is not intended due to their natural play instinct and interest in experimenting.
- Please note that an improper and excessive work-out may be harmful to your health.
- Please note that levers and other adjustment mechanisms are not projecting into the area of movement during the work-out.
- When setting up the exerciser, please make sure that the exerciser is standing in a stable way and that any possible unevenness of the floor is evened out.
- No adjustable part may protrude and limit user movement.
- Always wear appropriate clothing and shoes which are suitable for your work-out on the exerciser. The clothes must be designed in a way so that they will not get caught in any part of the exerciser during the work-out due to their form (for example, length). Be sure to wear appropriate shoes which are suitable for the work-out, firmly support the feet and which are provided with a non-slip sole.
- Be sure to consult a physician before you start any exercise program. He may give you proper hints and advice with respect to the individual intensity of stress for you as well as to your work-out and sensible eating habits.
- Class – HC for home use
- Max. weight limit: 120 kg

WARNING! A system for monitoring heart rate may not be accurate. Overloading during training may cause serious injury or death. If you feel any discomfort, immediately stop the exercise!

IMPORTANT NOTES

- Assemble the exerciser as per assembly instructions and be sure to only use the structural parts provided with the exerciser and designed for it. Prior to the assembly, make sure the contents of the delivery is complete by referring to the parts list of the assembly and operating instructions.
- Be sure to set up the exerciser in a dry and even place and always protect it from humidity. If you wish to protect the place particularly against pressure points, contamination, etc., it is recommended to put a suitable, non-slip mat under the exerciser.
- The general rule is that exercisers and training devices are no toys. Therefore, they must only be used by properly informed or instructed persons.
- Stop your work-out immediately in case of dizziness, nausea, chest pain or any other physical symptoms. In case of doubt, consult your physician immediately.
- Children, disabled and handicapped persons should use the exercise only under supervision and in presence of another person who may give support and useful instructions.
- Be sure that your body parts and those of other persons are never close to any moving parts of the exerciser during its use.
- When adjusting the adjustable parts, make sure they are adjusted properly and note the marked, maximum adjusting position, for example of the saddle support, respectively.
- Do not work out immediately after meals!

PRODUCT DESCRIPTION



TECHNICAL SPECIFICATIONS

Unfolded dimension	1545 x 650 x 1140 mm
Maximal load capacity	120 kg
Speed ratio	10.3
Load Wheel	280/9 kg

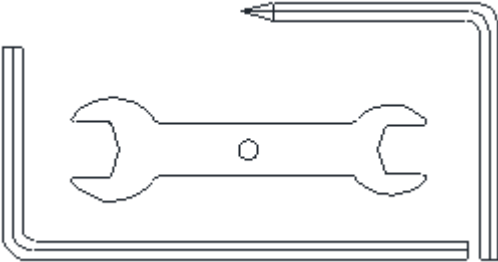
ASSEMBLY

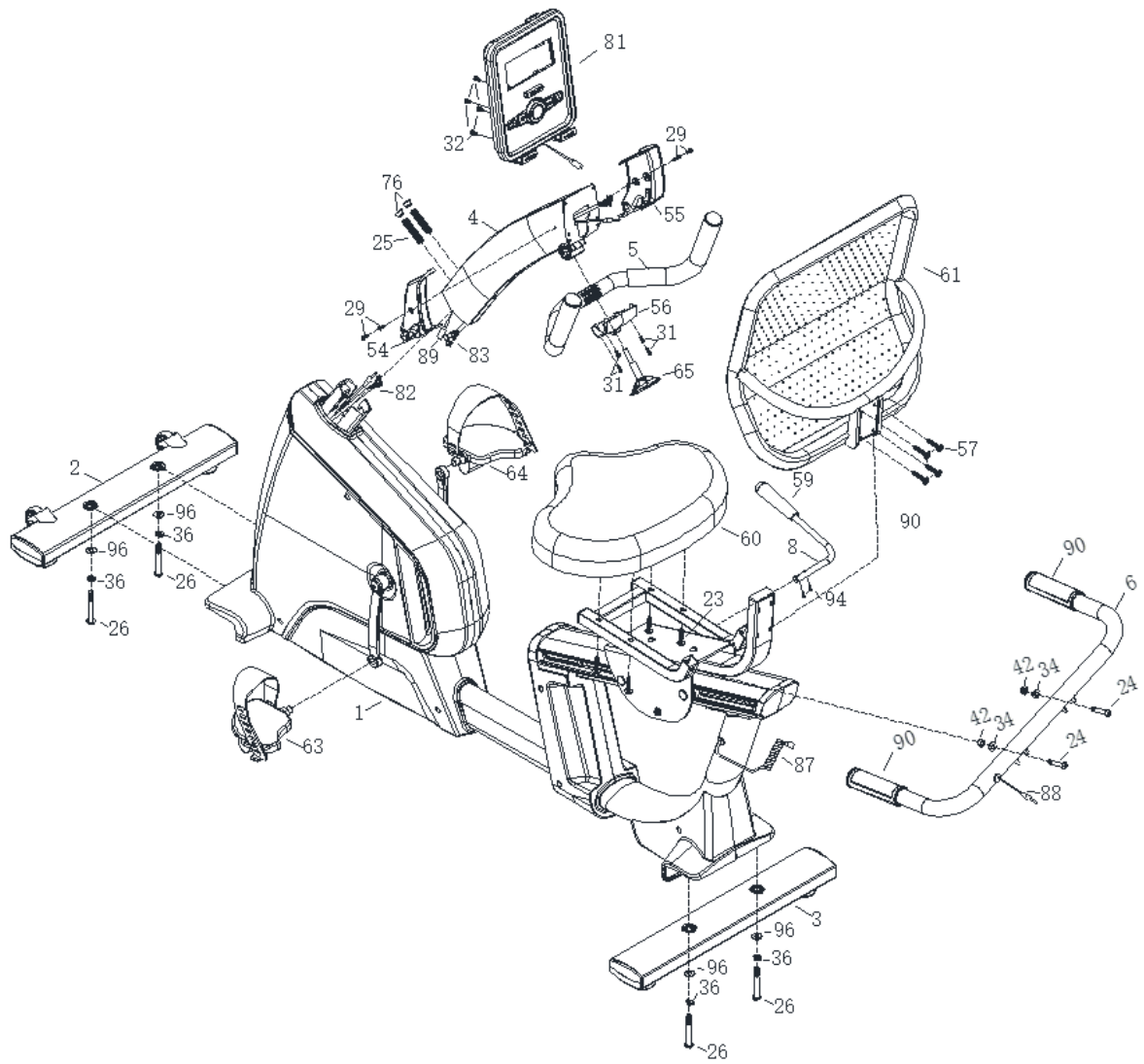
PREPARATION

No.	Name	Specification	Qty
23	Allen screw	M6×35	4
24	Allen screw	M8×50×20	2
25	Allen screw	M12×60	2
26	Allen screw	M10×70×20	4
29	Screw	M4×16	6
31	Screw	ST4×12	4
34	Flat washer	Φ8	2
36	Spring washer	Φ10	4
42	Nut	M8	2
57	Allen screw	M8x30	2
93	Allen screw	M6×15	2
94	Allen screw	Φ10	4
96	Flat washer	M6×40	4

Prepare all parts and tools in clean and free space.

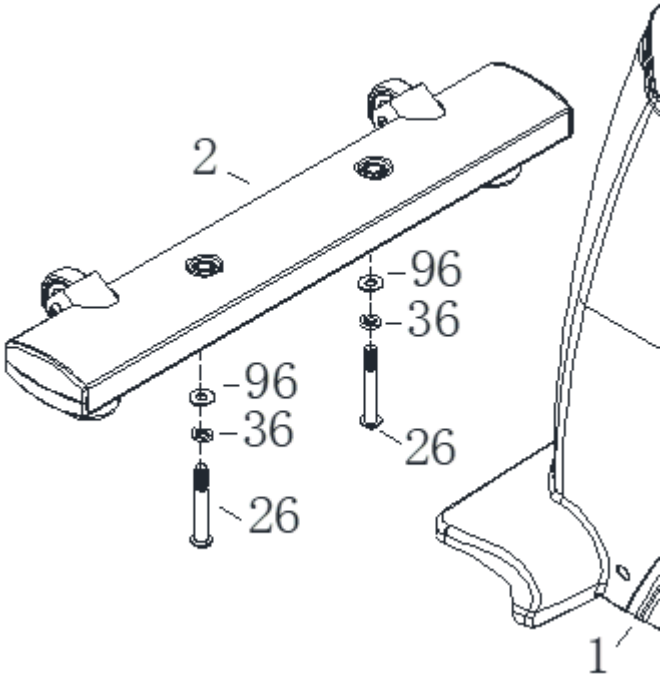
Follow each step of the procedure carefully.

		
Allen key	5×80×80S	1
Allen key	6×66×144	1
Wrench	t4.0×38×145	1



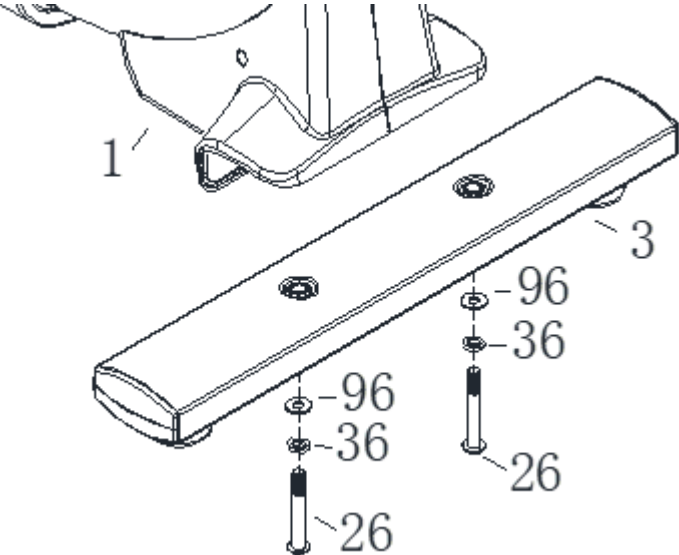
STEP 1

Attach the front stabilizer (2) to the main frame (1) using a spring washer (36), flat washer (96) and screw (26).



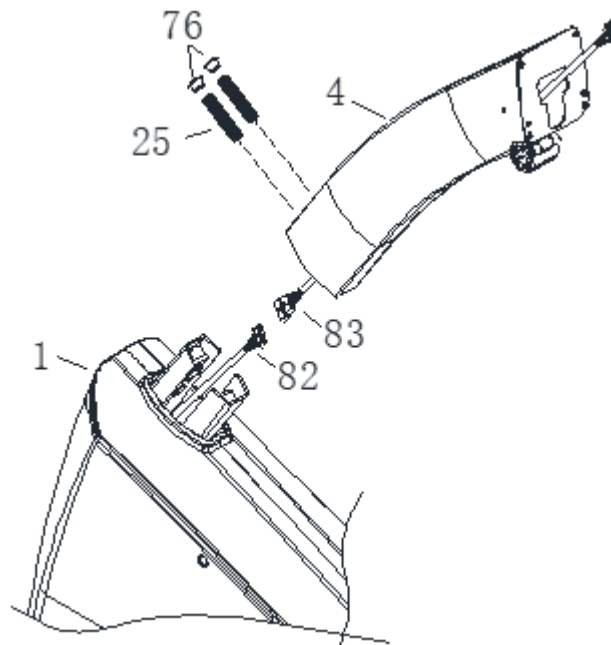
STEP 2

Attach the rear stabilizer (3) to the main frame (1) using a spring washer (36), flat washer (96) and bolt (26).



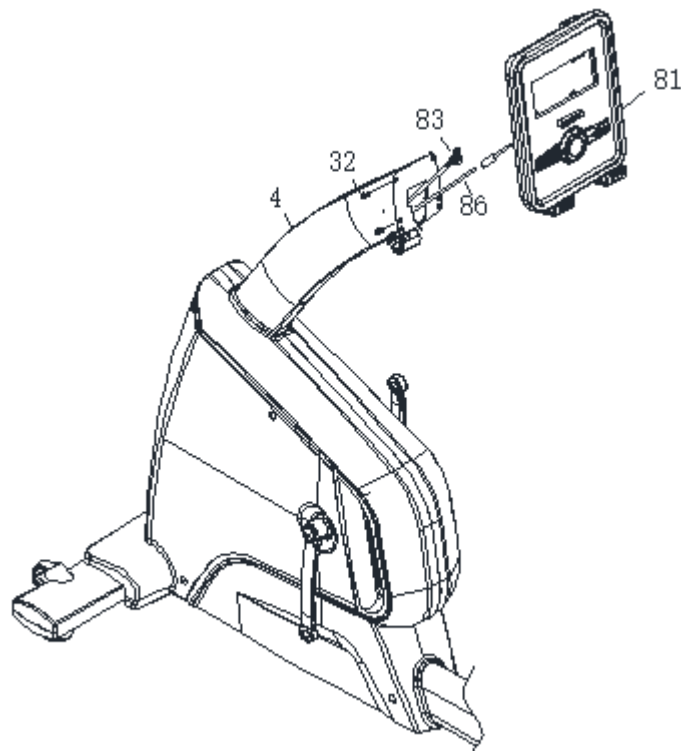
STEP 3

Connect the motor communication cable (82) to the middle post cable (83).
Attach the middle post (4) to the main frame (1) with the screw (25).



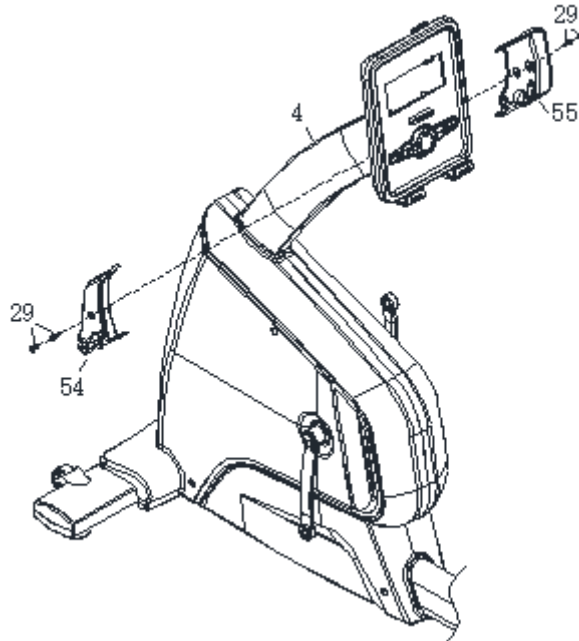
STEP 4

Connect the console cable (83) to the pulse cable (86).
Attach the console (81) to the middle post (4) with the screw (32).



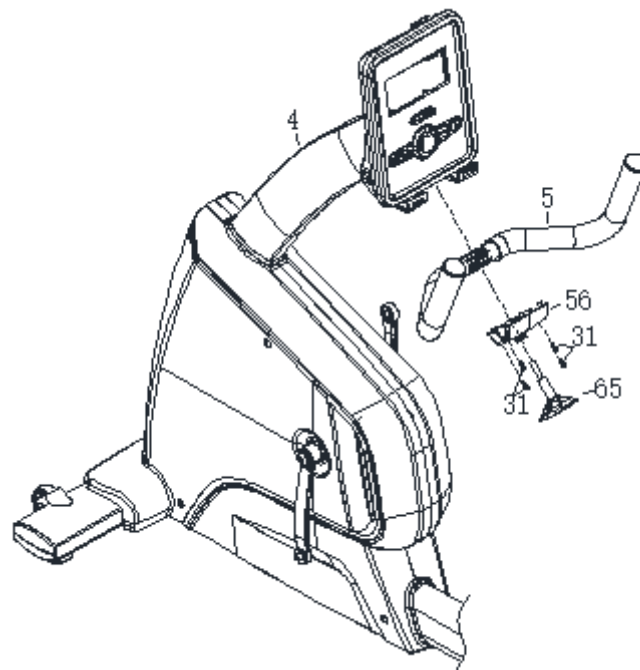
STEP 5

Attach the handle covers L (54) and handle covers R (55) to the middle post with screws (29).



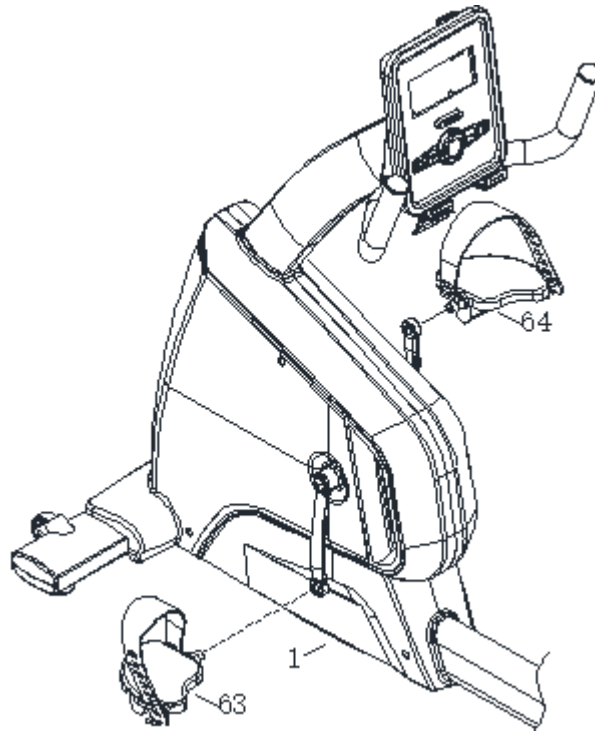
STEP 6

Attach the handles with the hand screw (65). Move the handles to a suitable position. Attach the front grip cover (56) with the screw (31).



STEP 7

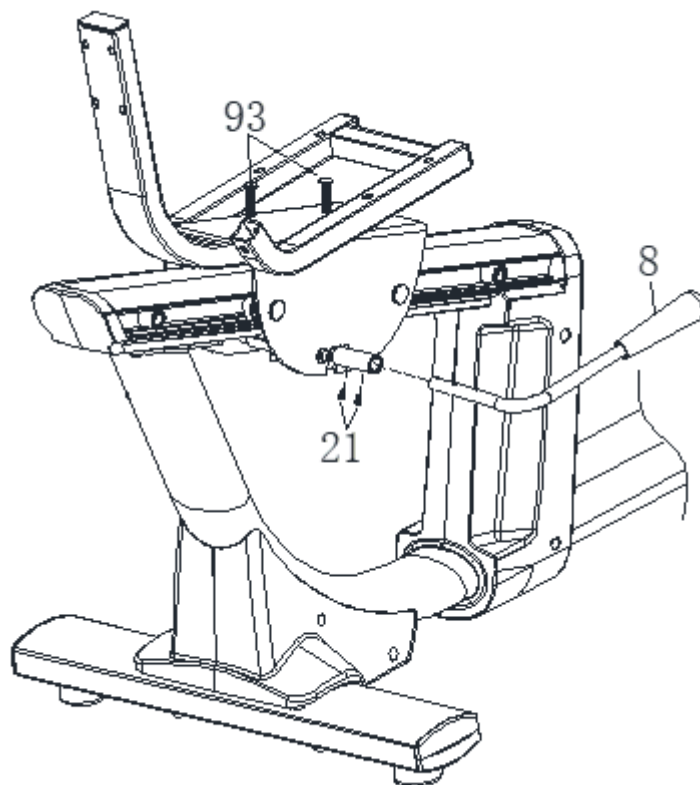
Attach the left pedal (63) and the right pedal (64) to the main frame (1).



STEP 8

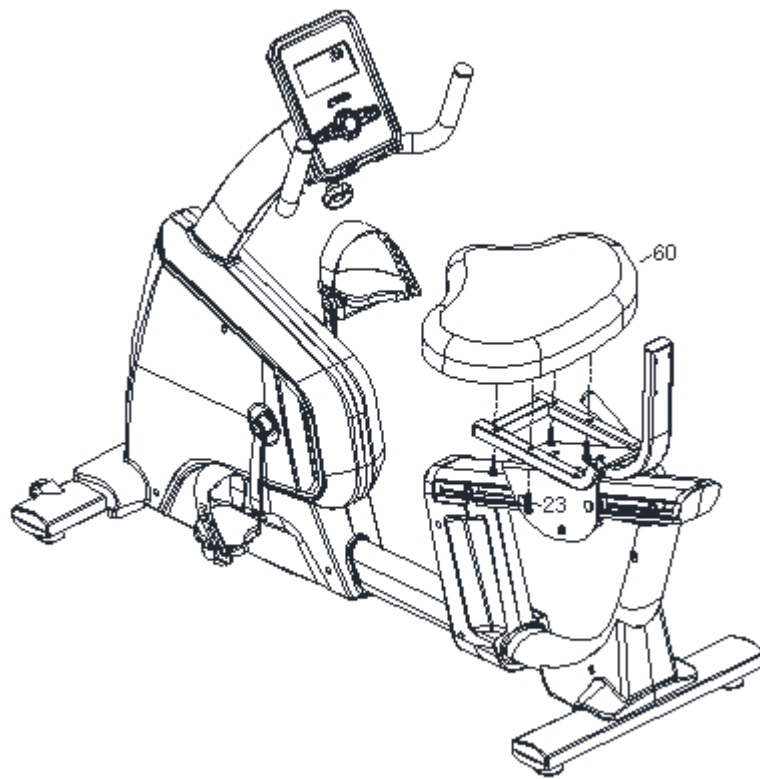
Attach the seat adjustment lever (8) to the seat with the screw (21).

Attach the backrest to the backrest holder with the screw (93).



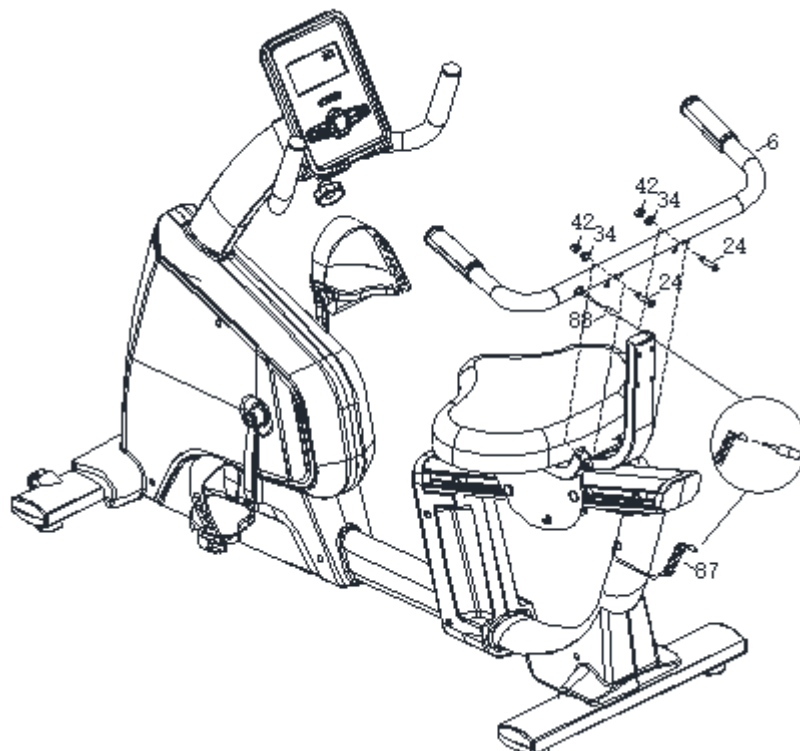
STEP 9

Attach the seat (60) to the saddle holder with the screw (23)



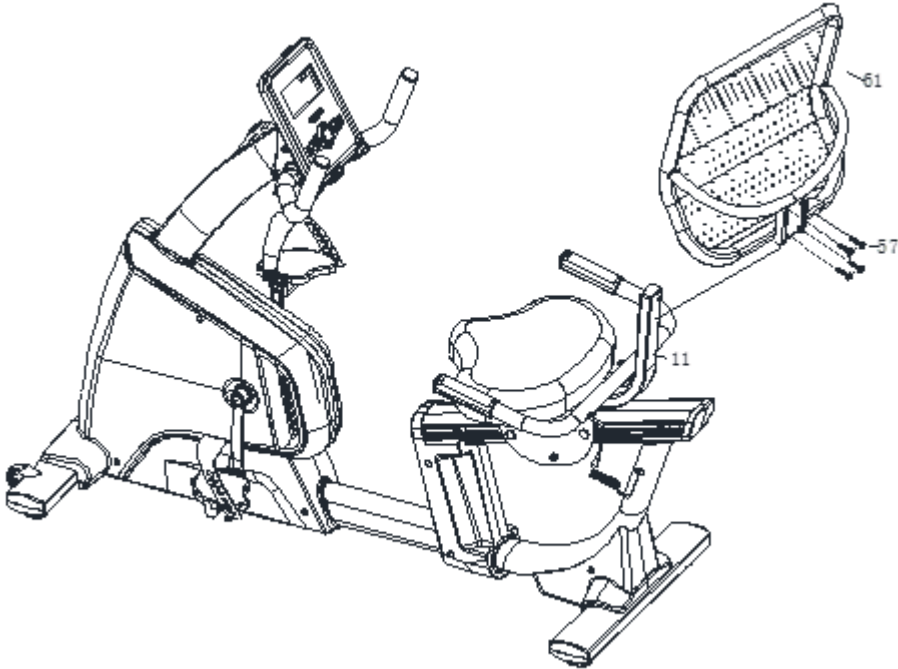
STEP 10

Attach the pulse sensor handles (6) to the seat with the screw (24), nut (42), and flat washer (34).
Connect the pulse cables (87 and 88).



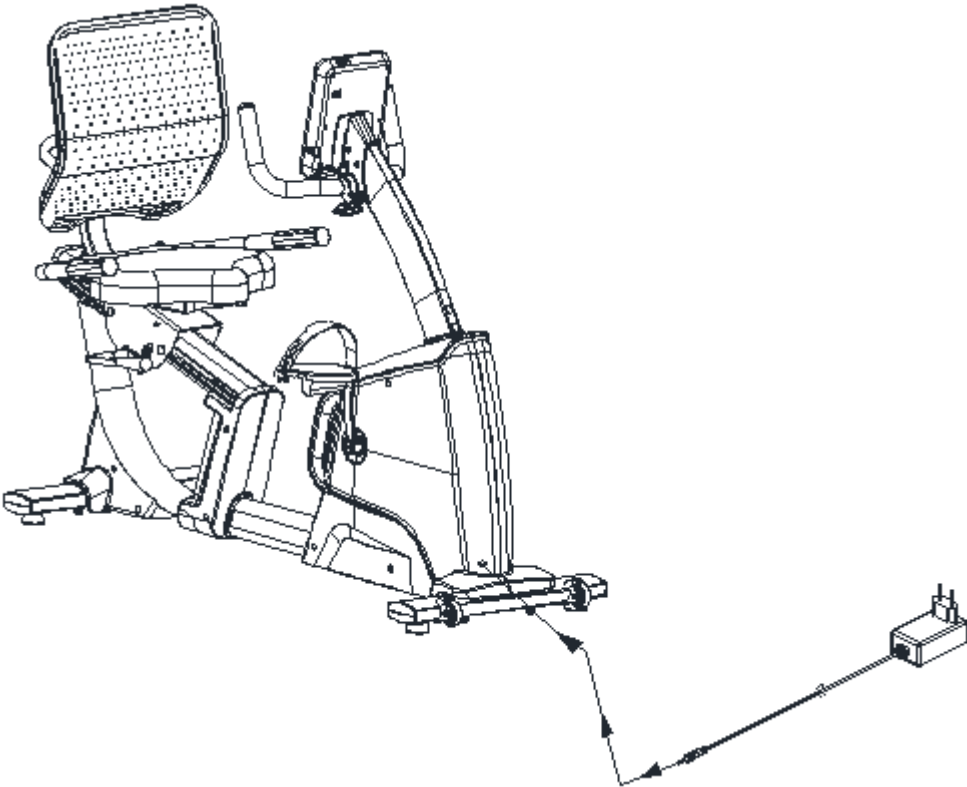
STEP 11

Attach the backrest (61) to the backrest bracket (11) with the screw (57).



STEP 12

Plug in power.



CONSOLE

BUTTONS

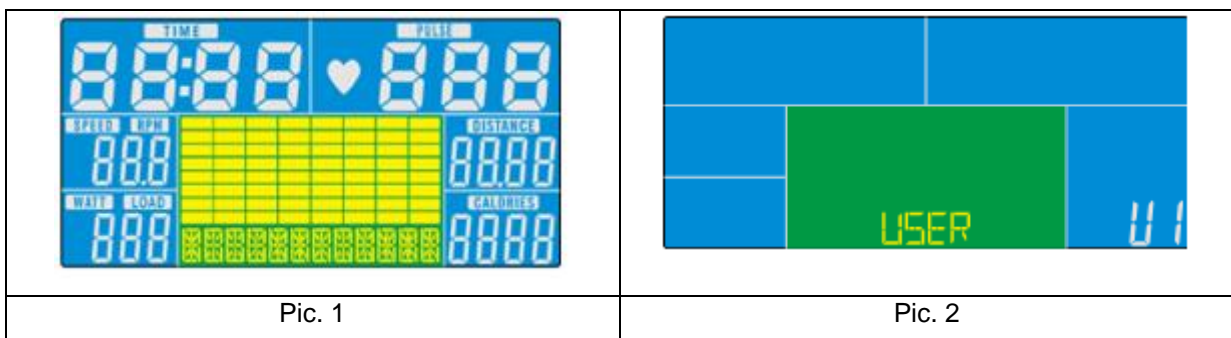
START/STOP	Start / stop program
RESET	If a program is paused or you are setting up values, returns to the menu Hold for 2 seconds, the console will restart and start user settings
UP (+)	Increase value
MODE/ENTER	Confirm settings, enter settings
DOWN (-)	Decrease value
RECOVERY	Starts RECOVERY test
BODY FAT	Starts BODY FAT test

DISPLAY

TIME	Display: 0:00 – 99:59, Settings: 0:00 – 99:00
DISTANCE	Display: 0:00 – 99,99, Settings: 0:00 – 99,90
CALORIES	Display: 0:00 – 9999 Cal, Settings: 0:00 – 9990 Cal
PULSE	Display: P-30 - 230, Settings: 0-30 - 230
WATT	Display: 0:00 – 999, Settings: 10-350
SPEED	Display: 0,0 – 99,9 km/h
RPM	Display: 0,0 – 999

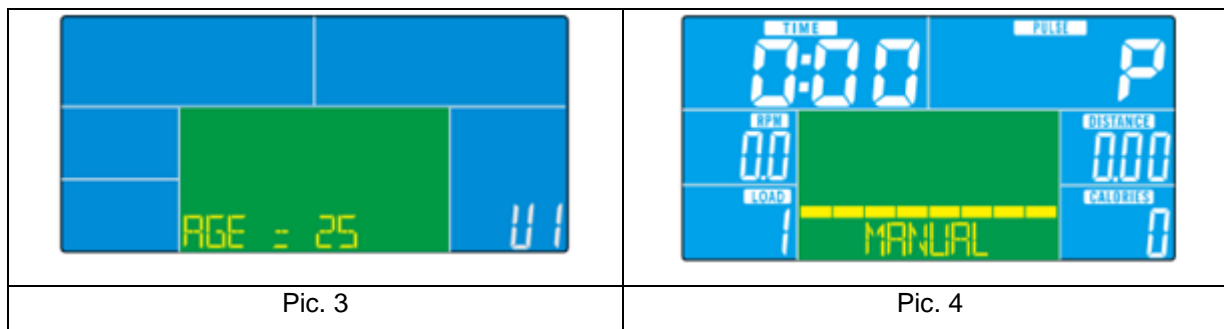
AFTER TURNING ON

When the console is turned on, the display will show all the data and play a sound signal (Pic. 1). Then select the user (Pic. 2) and set the AGE, GENDER, HEIGHT, WEIGHT. After 4 minutes without pedaling or receiving a signal, the console switch to standby mode. Pressing any button switches the console from standby mode.



SETTING PERSONAL DATA

Select user U1 - U4 and confirm with ENTER. Use the UP (+) / DOWN (-) keys to set SEX (gender), AGE (Pic. 3), height, weight, and press ENTER to confirm. After setting up the user, the main menu is displayed (Pic. 4). Here the user can start the training with the START / STOP button.



PROGRAMS

MANUAL will flash in the main menu. Select the program with the UP (+) / DOWN (-) buttons and confirm with the ENTER button. Programs go in the order: MANUAL - PROGRAM - USER PROGRAM - H.R.C – WATT

MANUAL MODE

Use the UP (+) / DOWN (-) keys to select a program, select MANUAL (Pic. 4) and press ENTER to confirm.

Use the UP (+) / DOWN (-) keys to set TIME, DISTANCE, CALORIES, PULSE, and ENTER.

Press the START / STOP button to start the program. During the program, the user can use the UP (+) / DOWN (-) buttons to set the load from 1 to 16.

Press the START / STOP button to pause the program. Press RESET to return to the main menu.

PROGRAM MODE (PŘEDNASTAVENÉ PROGRAMY)

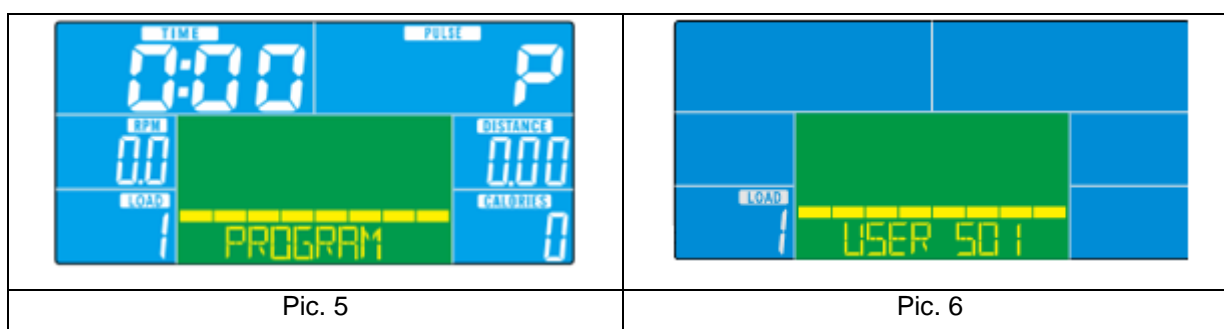
Use the UP (+) / DOWN (-) keys to select a program, select PROGRAM (Pic. 5) and press ENTER.

Use the UP (+) / DOWN (-) keys to select program P01 - P12, the profiles will be displayed in sequence.

Use the UP (+) / DOWN (-) keys to set TIME.

Press the START / STOP button to start the program. During the program, the user can use the UP (+) / DOWN (-) buttons to set the load from 1 to 16.

Press the START / STOP button to pause the program. Press RESET to return to the main menu.



USER PROGRAM MODE

Use the UP (+) / DOWN (-) keys to select a program, select USER PROGRAM (Pic. 6) and press ENTER to confirm.

Use the UP (+) / DOWN (-) keys to set the load from 1 to 16 for each training segment. Confirm with ENTER. A total of 20 segments.

Press and hold ENTER to complete and exit.

Use the UP (+) / DOWN (-) keys to set TIME.

Press the START / STOP button to start the program. During the program, the user can use the UP (+) / DOWN (-) buttons to set the load from 1 to 16.

Press the START / STOP button to pause the program. Press RESET to return to the main menu.

H.R.C PROGRAM

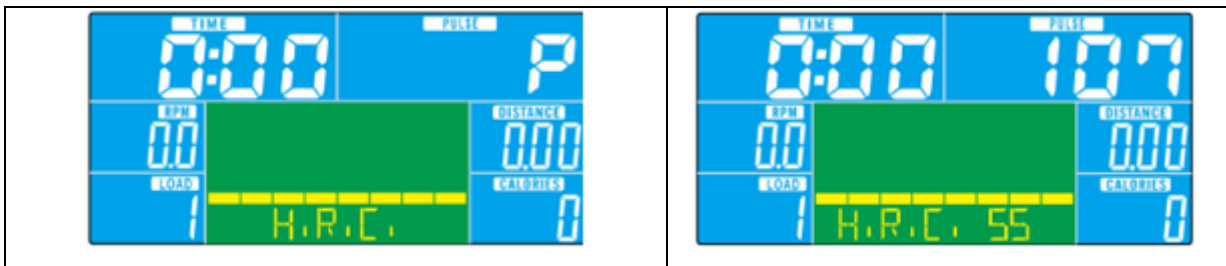
Use the UP (+) / DOWN (-) keys to select a program, select H.R.C (Pic. 7) and press ENTER to confirm.

Use the UP (+) / DOWN (-) keys to select H.R.C 55 (Pic. 8), H.R.C 75, H.R.C 90 or TAG (custom target, original value: 10, Pic. 9) and press ENTER to confirm.

When selecting H.R.C 55, H.R.C 75, H.R.C 90, the console displays the target age-based heart rate. Use the UP (+) / DOWN (-) and ENTER keys to set TIME.

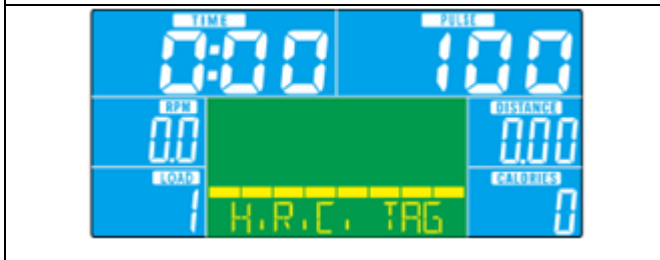
If you select TAG H.R, the default value of 100 flashes on the display (Pic. 9). Use the UP (+) / DOWN (-) keys to set the value from 30-230. Confirm with ENTER. Use the UP (+) / DOWN (-) keys to set TIME.

Press the START / STOP button to pause the program. Press RESET to return to the main menu.



Pic. 7

Pic. 8



Pic. 9

WATT PROGRAM

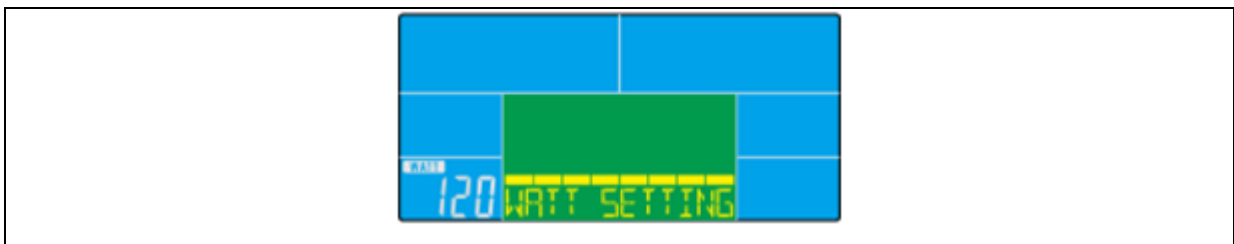
Use the UP (+) / DOWN (-) keys to select a program, select WATT (Pic. 10) and press ENTER.

Use the UP (+) / DOWN (-) keys to set the value. (Original Value: 120)

Use the UP (+) / DOWN (-) keys to set TIME.

Press the START / STOP button to start the program. During the program, the user can use the UP (+) / DOWN (-) buttons to adjust the power from 10 to 350.

Press the START / STOP button to pause the program. Press RESET to return to the main menu.



Pic. 10

BODY FAT PROGRAM

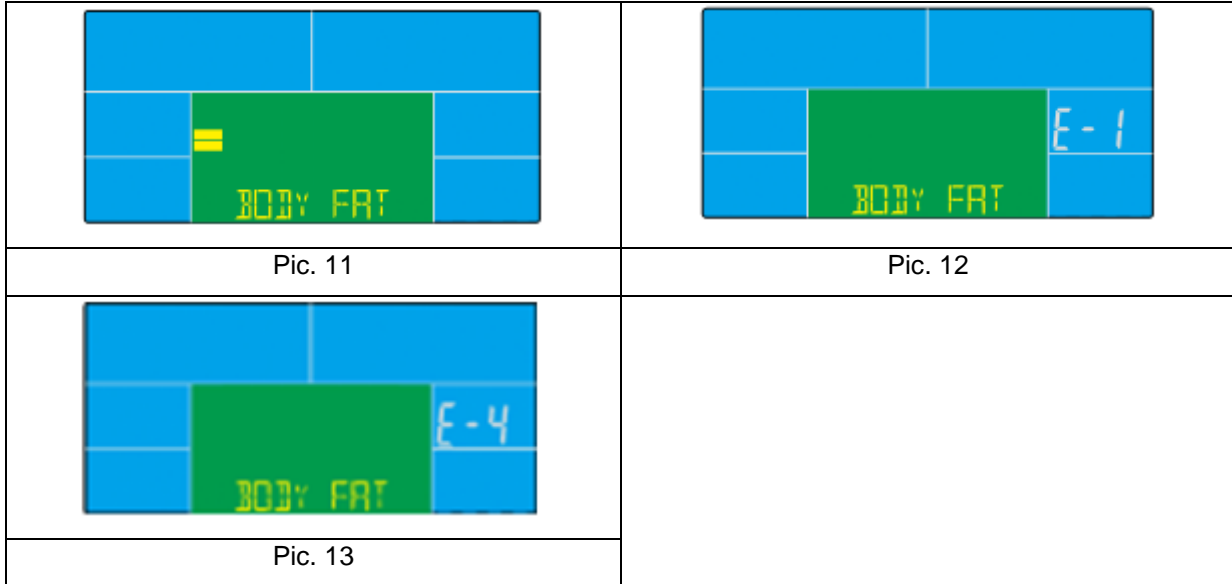
During training, press START / STOP to stop the program and press BODY FAT (Pic. 11) to turn on the measurement.

Grasp the sensors on the handles. After 8 seconds, console displays BMI, FAT% (fat percentage)

Press BODY FAT again to return to the menu.

Error messages: E-1 (Pic. 12) – the user does not hold the pulse handles correctly.

E-4 (Pic. 13) – FAT% exceeded value (5.0% - 50.0%)



BMI

BMI	LOW	LOW/MID	MID	MID/HIGH
RANGE	<20	20 – 24	24,1 – 26,5	>26,5

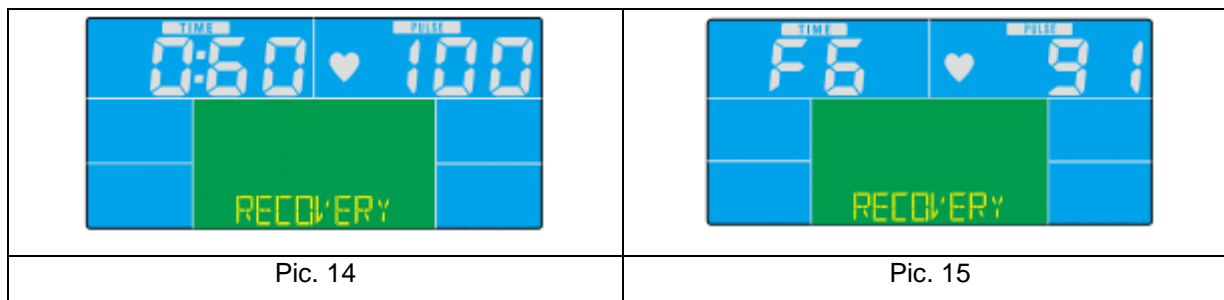
BODY FAT

SYMBOL	—	+	▲	◆
FAT%	LOW	LOW/MID	MID	MID/HIGH
MAN	<13%	13%-25.9%	26%-30%	>30%
WOMAN	<23%	23%-35.9%	36%-40%	>40%

RECOVERY PROGRAM

If the pulse value is displayed (holding the sensors on the handles), press the RECOVERY button.

All displayed values are paused, only TIME is displayed, and countdown starts from 00:60 to 00:00 (Figure 14). When the time reaches 0, the display shows RECOVERY status FX (X = 1-6 Fig. 15). F1 is the best result, F6 is the worst result.



1,0	Excellent
1,0 <F <2,0	Above average
2,0 <F <2,9	Good
3,0 <F <3,9	Average
4,0 <F <5,9	Below the average
6,0	Bad

NOTES:

- Console has a 9V, 1300 mA adapter.
- If the user stops pedaling for 4 minutes, the console enters Sleep mode. All data and settings are saved until next run.
- If the console is not working properly, try turning it off and on.

ADVANTAGES OF RECUMBTION

Recumbents are an excellent choice when it comes to stabilizing the lumbar back of your back, as you sit back while training on exercise bike you bend forward. Recumbent therefore supports better body holding.

Recumbents are also more favorable to your joints. The bottom of the back is laid on a large, stable saddle, and your knees and ankles are protected from possible injury.

The fact that the saddle is larger is often the biggest difference compared to classical exercise bike. Just the comfort of sitting is the difference that everyone who experiences this type of exercise bike will feel.

Recumbent is also a good option for most people with neurological disorders. If your back or joints suffer from rheumatoid arthritis, recumbent may be the best solution for you because of the weight distribution of your body.

EXERCISING INSTRUCTIONS

A successful workout begins with warm-up exercises and ends with cool-down (relaxing) exercises. The warm-up exercises should make your body ready for the main workout. The cool-down phase should protect your muscles from injuries and cramps. Do warm-up and cool-down exercises as shown in the chart below.



Touching your toes

Slowly bend your back from hips. Keep your back and arms relaxed while stretching downwards to your toes. Do it as far as you are able and hold the position for 15 seconds. Bend your knees slightly.



Upper thigh

Lean against a wall with one hand. Reach down and behind you. Lift up your right or left foot to your buttock as high as possible. Keep for 30 seconds and repeat twice for each leg.



Hamstring stretched

Sit and outstretch your right leg. Rest the sole of your left foot against the inside of your right thigh. Stretch out your right arm along your right leg as far as you can. Hold for 15 seconds and relax. Repeat all with your left leg and left arm.



Inside upper thigh

Sit on the floor and place your feet together. Knees are pointed outwards. Pull your feet as close as possible to your groin. Press your knees carefully downwards. Keep this position for 30-40 seconds if possible.



Calves and Achilles tendon

Lean against a wall with your left leg in front of the right one and your arms forward. Stretch out your right leg and keep your left foot on the floor. Bend your left leg and lean forwards by moving your right hip in the direction of the wall. Hold for 30-40 seconds. Keep your leg stretched and repeat exercising with other leg.

MAINTENANCE

- Clean with a soft cloth and a non-aggressive cleaner.
- Do not use aggressive cleaning agents.
- Only wipe the electrical parts with a cloth. Avoid contact with water.

STORAGE

Keep the recumbent in a clean and dry environment. Make sure the power switch is turned off and the exercise bike is not plugged into the power socket.

IMPORTANT NOTICE

- This exercise bike comes with standard safety regulations and is only suitable for home use. Any other use is prohibited and may be dangerous to users. We are not responsible for any injury caused by improper and forbidden use of the machine.
- Consult your doctor before starting training on the exercise bike. Your doctor should evaluate whether you are physically fit to use the machine and how much effort you are able to undergo. Incorrect exercise or switching of the body can harm your health.
- Carefully read the following tips and exercises. If you experience pain, nausea, breathing, or other health problems during exercise, immediately stop the exercise. If the pain persists, contact your doctor immediately.
- This exercise bike is not suitable as a professional or medical purpose. It can also not be used for healing purposes.
- The heart rate monitor is not a medical device. It provides only approximate information about your average heart rate, and any suggested pulse rate is not medically binding. Accumulated data may not always be accurate regarding uncontrollable human and environmental factors.

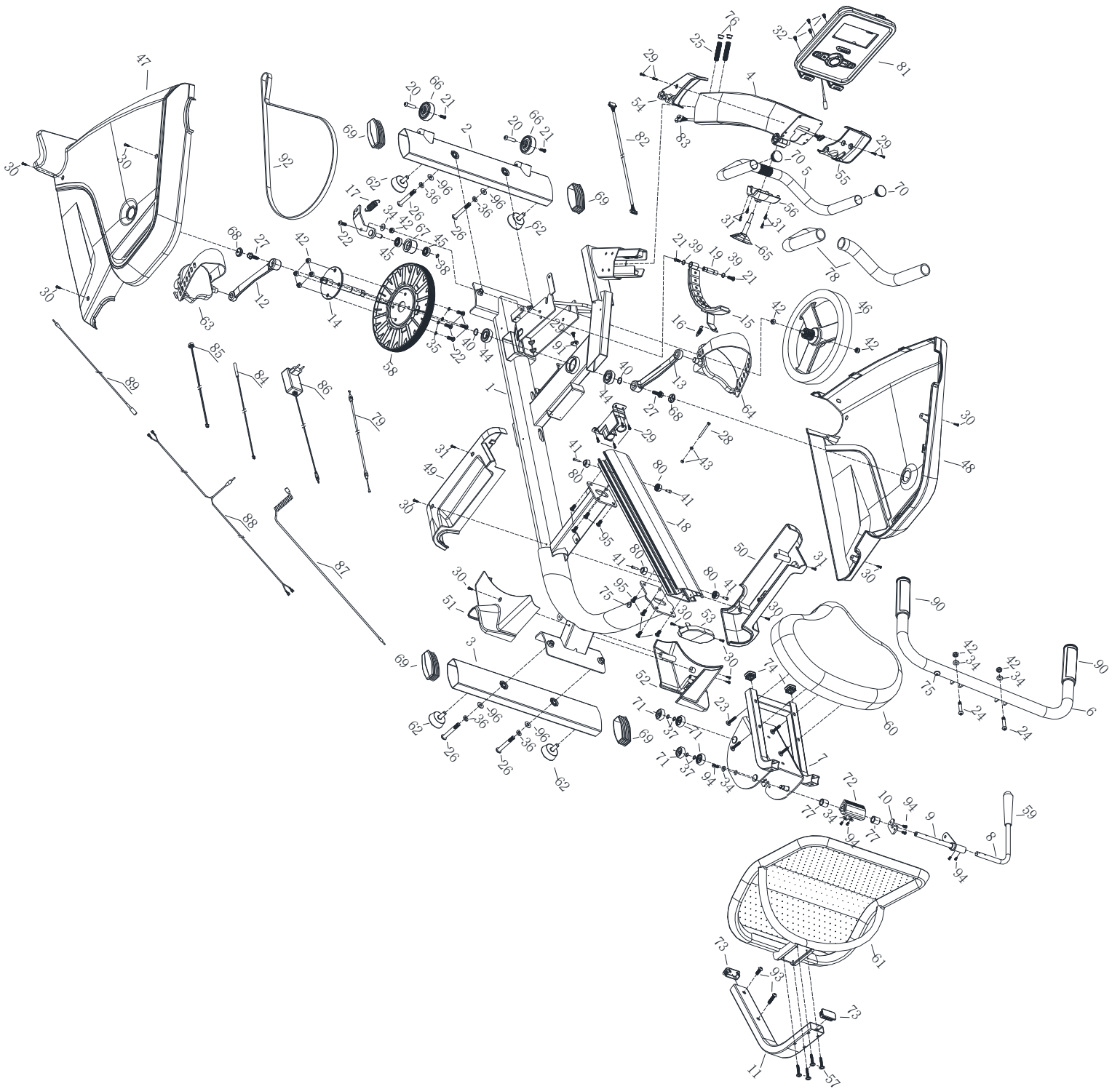
ENVIRONMENT PROTECTION

After the product lifespan expired or if the possible repairing is uneconomic, dispose it according to the local laws and environmentally friendly in the nearest scrapyards.

By proper disposal you will protect the environment and natural sources. Moreover, you can help protect human health. If you are not sure in correct disposing, ask local authorities to avoid law violation or sanctions.

Don't put the batteries among house waste but hand them in to the recycling place.

DIAGRAM



PARTS LIST

No.	Name	Qty.	No.	Name	Qty.
1	Main frame	1	36	Spring washer Φ 10	4
2	Front stabilizer	1	37	Circlip for shaft Φ 8	4
3	Rear stabilizer	1	38	Circlip for shaft Φ 10	3
4	Middle post	1	39	Circlip for shaft Φ 12	2
5	Handlebars	1	40	Circlip for shaft Φ 17	2
6	Handlebars with pulse sensor	1	41	Allen screw M6 \times 20	4
7	Seat post	1	42	Nut M8	11
8	Seat adjustment	1	43	Nut M5	2
9	Seat connection axis	1	44	Ball bearing	2
10	Seat adjustment mechanism	1	45	Ball bearing	3
11	Backrest holder	1	46	Flywheel (8510-61)	1
12	Crank – L	1	47	Motor cover – left	1
13	Crank – R	1	48	Motor cover – right	1
14	Crank axis	1	49	Aluminum track cover – left	1
15	Magnet	1	50	Aluminum track cover – right	1
16	Brake spring Φ 11.5 \times Φ 1.2 \times 13	1	51	Rear stabilizer cover - left	1
17	Load spring Φ 18.5 \times Φ 2.5 \times 11.5	2	52	Rear stabilizer cover – right	1
18	Aluminum sliding rail	1	53	Aluminum track end cover	1
19	Magnetic axis control	1	54	Handlebar cover – left	1
20	Allen screw Φ 8 \times 33 \times M6 \times 15	2	55	Handlebar cover - right	1
21	Allen screw M6 \times 15	6	56	Handlebar front cover	1
22	Allen screw M8 \times 20	5	57	Allen screw	4
23	Allen screw M6 \times 35	4	58	Belt pulley	1
24	Allen screw M8 \times 40 \times 20	2	59	Seat adjustment handle	1
25	Allen screw M12 \times 60	2	60	Seat	1
26	Allen screw M10 \times 70 \times 20	4	61	Backrest	1
27	Screw 5/16-18UNC-1"	2	62	Support of beam	4
28	Screw M5 \times 60	1	63	Pedal – L	1
29	Screw M4 \times 16	4	64	Pedal – R	1
30	Screw ST4 \times 16	18	65	Knob	1
31	Screw ST4 \times 12	6	66	Transport wheels	2
32	Screw M5 \times 10	4	67	Tension wheel	1
33	Screw ST3 \times 30	4	68	Crank cover	2
34	Flat washer Φ 8	14	69	End cap	4
35	Flat washer Φ 8	4	70	Round pipe plug	2

71	PU wheel	4	84	Magnetic inductor 200 mm	1
72	Brake block	1	85	Power communication wire 750 mm	1
73	Square pipe plug	2	86	Power adapter	1
74	Square pipe plug	2	87	Spring wire 2000 mm	1
75	Wire plug	2	88	Pulse cable 1, 2x 100 mm	1
76	Hole plug	2	89	Pulse cable 2, 650 mm	1
77	Brake clearance set	2	90	Handle pulse	2
78	Foam grip	2	91	Magnet	1
79	Brake line	1	92	Motor belt	1
80	Rubber stop	4	93	Allen screw M8x30	2
81	Console	1	94	Allen screw M6x15	7
82	Motor communication wire 800 mm	1	95	Allen screw M8x15	8
83	Console communication wire 600 mm	1	96	Flat washer Φ 10	4

TERMS AND CONDITIONS OF WARRANTY, WARRANTY CLAIMS

General Conditions of Warranty and Definition of Terms

All Warranty Conditions stated hereunder determine Warranty Coverage and Warranty Claim Procedure. Conditions of Warranty and Warranty Claims are governed by Act No. 89/2012 Coll. Civil Code, and Act No. 634/1992 Coll., Consumer Protection, as amended, also in cases that are not specified by these Warranty rules.

The seller is SEVEN SPORT s.r.o. with its registered office in Borivojova Street 35/878, Prague 13000, Company Registration Number: 26847264, registered in the Trade Register at Regional Court in Prague, Section C, Insert No. 116888.

According to valid legal regulations it depends whether the Buyer is the End Customer or not.

“The Buyer who is the End Customer” or simply the “End Customer” is the legal entity that does not conclude and execute the Contract in order to run or promote his own trade or business activities.

“The Buyer who is not the End Customer” is a Businessman that buys Goods or uses services for the purpose of using the Goods or services for his own business activities. The Buyer conforms to the General Purchase Agreement and business conditions.

These Conditions of Warranty and Warranty Claims are an integral part of every Purchase Agreement made between the Seller and the Buyer. All Warranty Conditions are valid and binding, unless otherwise specified in the Purchase Agreement, in the Amendment to this Contract or in another written agreement.

Warranty Conditions

Warranty Period

The Seller provides the Buyer a 24 months Warranty for Goods Quality, unless otherwise specified in the Certificate of Warranty, Invoice, Bill of Delivery or other documents related to the Goods. The legal warranty period provided to the Consumer is not affected.

By the Warranty for Goods Quality, the Seller guarantees that the delivered Goods shall be, for a certain period of time, suitable for regular or contracted use, and that the Goods shall maintain its regular or contracted features.

The Warranty does not cover defects resulting from (if applicable):

- User's fault, i.e. product damage caused by unqualified repair work, improper assembly, insufficient insertion of seat post into frame, insufficient tightening of pedals and cranks
- Improper maintenance
- Mechanical damages
- Regular use (e.g. wearing out of rubber and plastic parts, moving mechanisms, joints, wear of brake pads/blocks, chain, tires, cassette/multi wheel etc.)
- Unavoidable event, natural disaster
- Adjustments made by unqualified person
- Improper maintenance, improper placement, damages caused by low or high temperature, water, inappropriate pressure, shocks, intentional changes in design or construction etc.

Warranty Claim Procedure

The Buyer is obliged to check the Goods delivered by the Seller immediately after taking the responsibility for the Goods and its damages, i.e. immediately after its delivery. The Buyer must check the Goods so that he discovers all the defects that can be discovered by such check.

When making a Warranty Claim the Buyer is obliged, on request of the Seller, to prove the purchase and validity of the claim by the Invoice or Bill of Delivery that includes the product's serial number, or eventually by the documents without the serial number. If the Buyer does not prove the validity of the Warranty Claim by these documents, the Seller has the right to reject the Warranty Claim.

If the Buyer gives notice of a defect that is not covered by the Warranty (e.g. in the case that the Warranty Conditions were not fulfilled or in the case of reporting the defect by mistake etc.), the Seller is eligible to require a compensation for all the costs arising from the repair. The cost shall be calculated according to the valid price list of services and transport costs.

If the Seller finds out (by testing) that the product is not damaged, the Warranty Claim is not accepted. The Seller reserves the right to claim a compensation for costs arising from the false Warranty Claim.

In case the Buyer makes a claim about the Goods that is legally covered by the Warranty provided by the Seller, the Seller shall fix the reported defects by means of repair or by the exchange of the damaged part or product for a new one. Based on the agreement of the Buyer, the Seller has the right to exchange the defected Goods for a fully compatible Goods of the same or better technical characteristics. The Seller is entitled to choose the form of the Warranty Claim Procedures described in this paragraph.

The Seller shall settle the Warranty Claim within 30 days after the delivery of the defective Goods, unless a longer period has been agreed upon. The day when the repaired or exchanged Goods is handed over to the Buyer is considered to be the day of the Warranty Claim settlement. When the Seller is not able to settle the Warranty Claim within the agreed period due to the specific nature of the Goods defect, he and the Buyer shall make an agreement about an alternative solution. In case such agreement is not made, the Seller is obliged to provide the Buyer with a financial compensation in the form of a refund.

CZ SEVEN SPORT s.r.o.

Registered Office: Strakonická 1151/2c, Praha 5, 150 00, ČR
 Headquarters: Dělnická 957, Vítkov, 749 01
 Warranty & Service: Čermenská 486, Vítkov 749 01

CRN: 26847264
 VAT ID: CZ26847264

Phone: +420 556 300 970
 E-mail: eshop@insportline.cz
 reklamace@insportline.cz
 servis@insportline.cz

Web: www.inSPORTline.cz

SK inSPORTline s.r.o.

Headquarters, warranty & service center: Električná 6471, Trenčín 911 01, SK

CRN: 36311723

VAT ID: SK2020177082

Phone: +421(0)326 526 701

E-mail: objednavky@insportline.cz

reklamacie@insportline.cz

servis@insportline.cz

Web: www.inSPORTline.sk